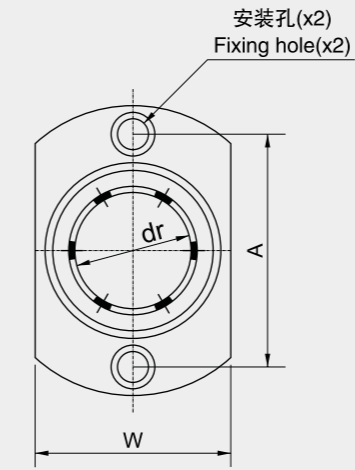
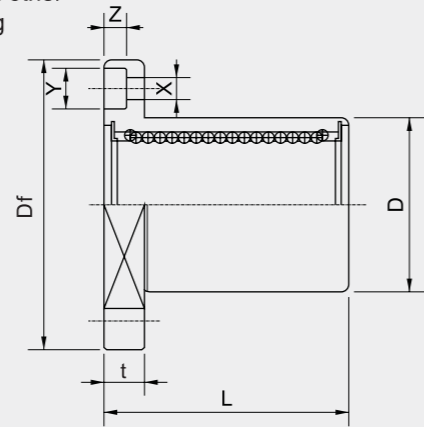


LMH...GA 锌合金保持架
 该类型尺寸是公制的，广泛应用于亚洲和其它国家。
 所有型号均可根据客户要求做镀镍处理，有防锈作用。

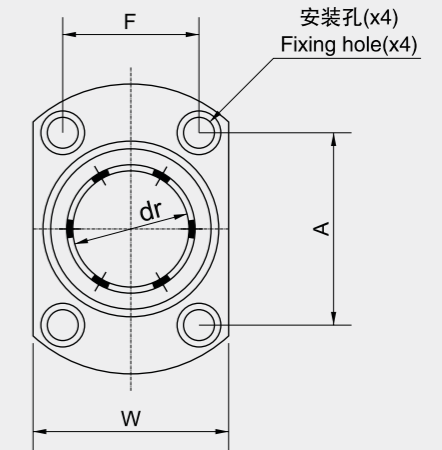
LMH...GA (Zinc alloy retainer)
 This type is a metric dimension series widely used in Asia and other countries. All models can be done with nickle plated according to customers' requirements, with function of rust-proof.



LMH...GA



轴径小于或等于13mm
 LMH13 or Less



轴径大于或等于16mm
 LMH16 or More

公称轴径 Nominal shaft diameter mm	椭圆法兰 LMH...GA	重量 Weight (g)	主要尺寸和公差 Major dimensions and tolerance					
			dr		D		L	
			mm	公差 Tolerance μm	mm	公差 Tolerance μm	mm	公差 Tolerance μm
6	LMH6GA	22.3	6		12	0	19	
8	LMH8GA	35.3	8		15	-11	24	±300
10	LMH10GA	65.5	10	0	19		29	
12	LMH12GA	73.2	12	-9	21	0	30	
13	LMH13GA	88	13		23	-13	32	0
16	LMH16GA	129	16		28		37	-200
20	LMH20GA	192	20	0	32	0	42	
25	LMH25GA	387	25	-10	40	-16	59	
30	LMH30GA	464	30		45		64	0
35	LMH35GA	679	35	0	52	0	70	-300
40	LMH40GA	1,065	40	-12	60	-19	80	

主要尺寸和公差 Major dimensions and tolerance								偏心 Eccentricity μm	垂直度 Squareness μm	额定负荷 Basic load rating	
法兰 Flange										动负荷 Dynamic C N	静负荷 Static Co N
Df mm	W mm	t mm	A mm	F mm	X mm	Y mm	Z mm				
28	18	5	20	-	3.5	6	3.1	12	12	206	265
32	21	5	24	-	3.5	6	3.1			274	392
40	25	6	29	-	4.5	6	4.1			372	549
42	27	6	32	-	4.5	7.5	4.1			510	784
43	29	6	33	-	4.5	7.5	4.1			510	784
48	34	6	31	22	4.5	7.5	4.1	15	15	774	1,180
54	38	8	36	24	5.5	7.5	5.1			882	1,370
62	46	8	40	32	5.5	9	5.1			980	1,570
74	51	10	49	35	6.6	9	6.1			1,570	2,740
82	60	10	55	38	6.6	11	6.1			1,670	3,140
96	70	13	64	45	9	14	8.1	20	20	2,160	4,020

LMH20MGA M 镀镍 M Nickle plated

国际单位: 1N≈0.102kgf
 SIUNIT: 1N≈0.102kgf