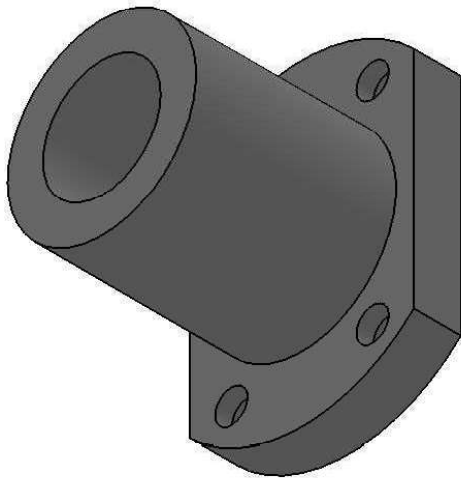
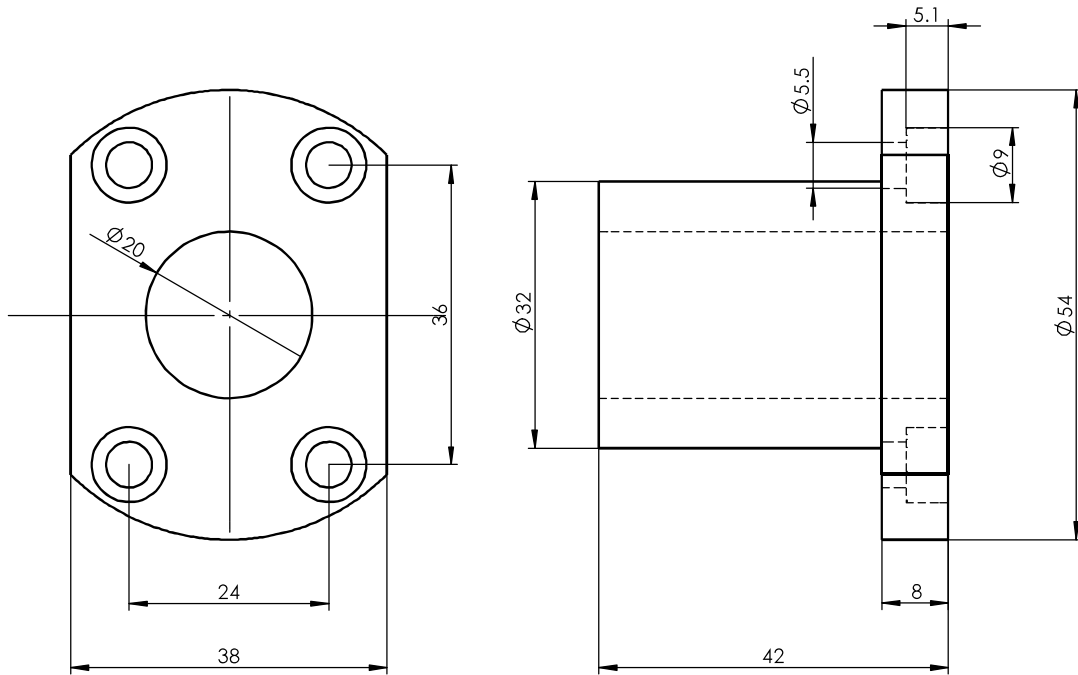


Size Unit: mm



Register  
Tracing  
Calibrating  
Former No.  
Drawing No.

						LMH20GA			Drawing No.	
Signature									Material	Heat Treatment
Date	Marker	Numbers	Reversion	Signature	Date	Drawing Mark	Weight	Scale		
	Design	Standarization								
	Check	Approved								
	Review									
	Technics	Date				A Total Of 1 Pages		Page No. 1		