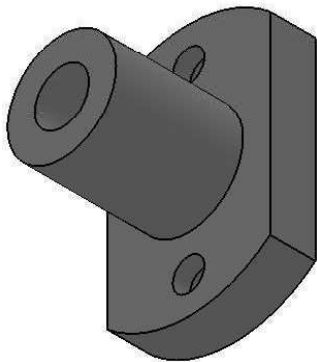
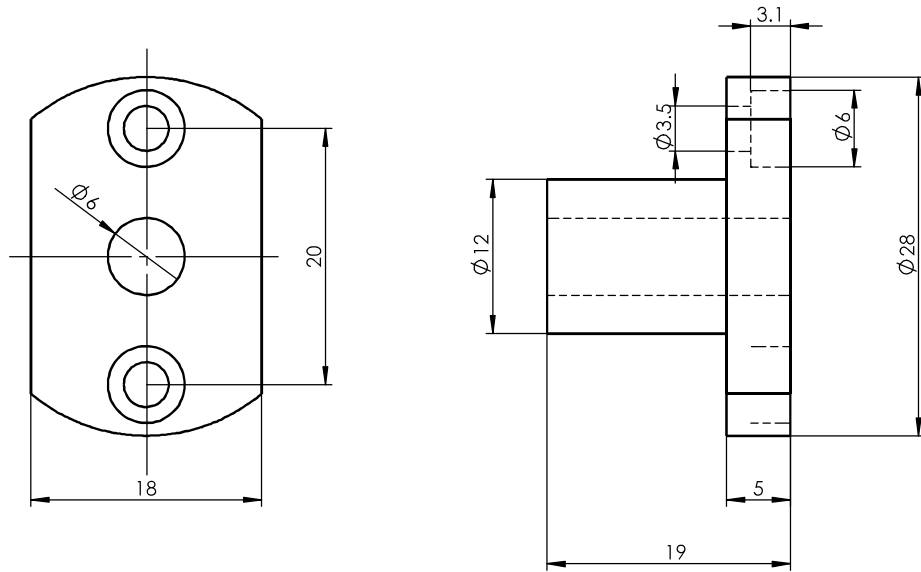


Size Unit: mm



Register
Tracing
Calibrating
Former No.
Drawing No.

						LMH6GA			Drawing No.		
Signature	Marker	Numbers	Reversion	Signature	Date				Material	Heat Treatment	
Date	Design			Standardization		Drawing Mark	Weight	Scale			
	Check			Approved							
	Review										
	Technics			Date		A Total Of 1 Pages		Page No. 1			