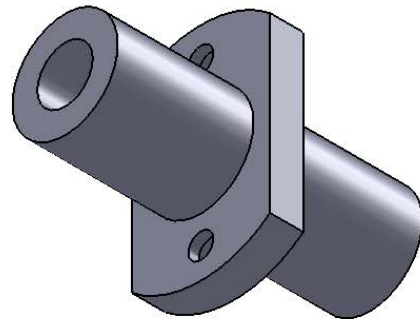
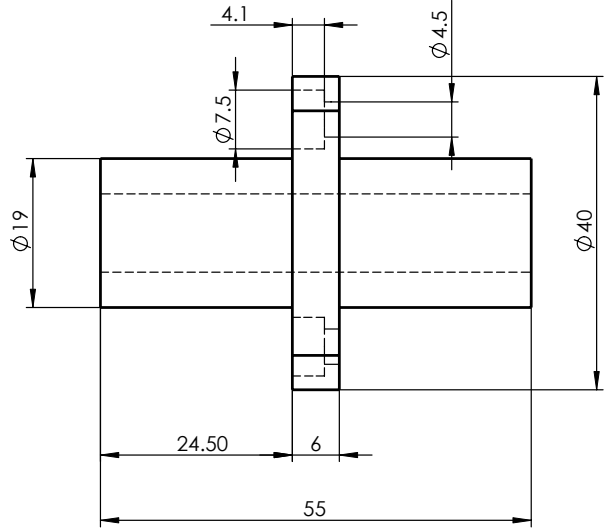
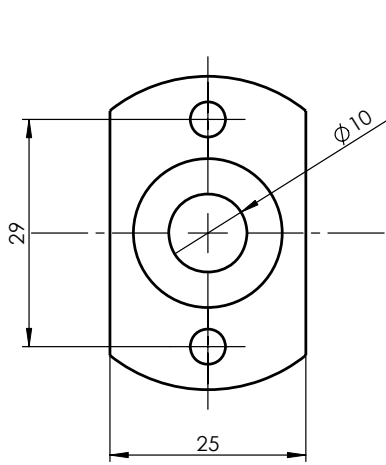


Size Unit: mm



Register  
Tracing  
Calibrating  
Former No.  
Drawing No.

					LMHMI OLUU			Drawing No.		
Signature	Marker	Numbers	Reversion	Signature				Date	Material	
Date	Design			Standardization			Drawing Mark	Weight	Scale	
	Check			Approved						
	Review									
	Technics			Date	2013-10-14	A Total Of 1 Pages		Page No. 1		