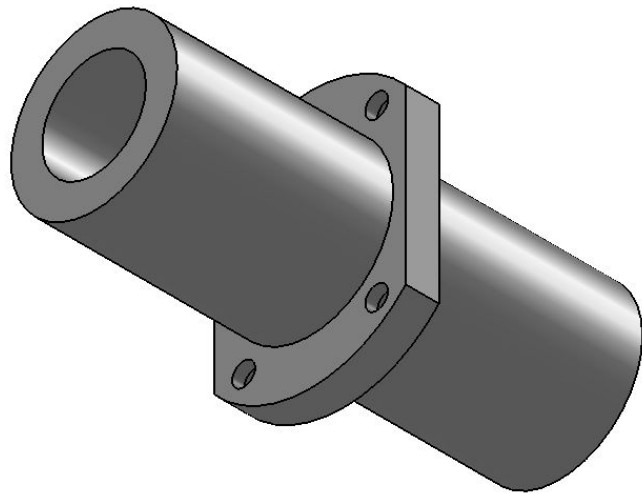
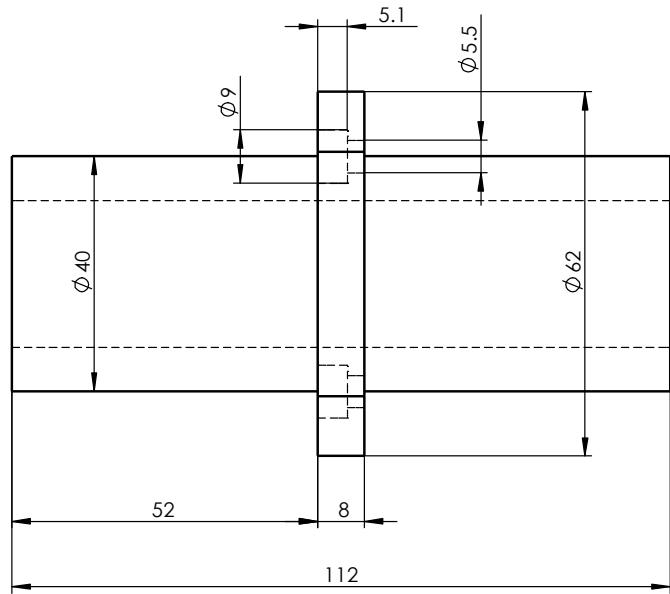
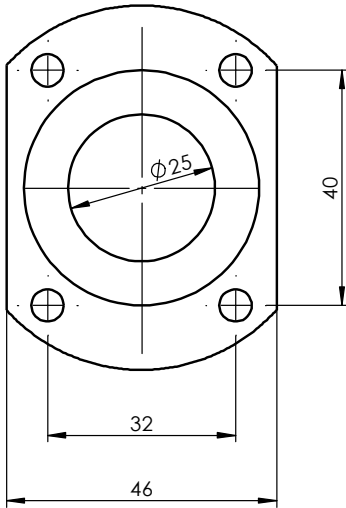


Size Unit: mm



Register
Tracing
Calibrating
Former No.
Drawing No.

						LMHM25LGA			Drawing No.		
Signature									Material		Heat Treatment
Marker		Numbers		Reversion		Signature		Date			
Design				Standarization		Drawing Mark		Weight		Scale	
Check				Approved							
Date		Review									
Technics				Date		A Total Of 1 Pages		Page No. 1			