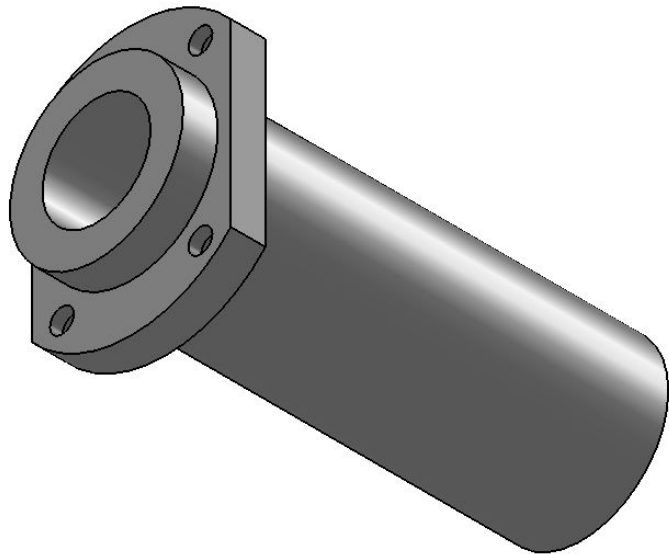
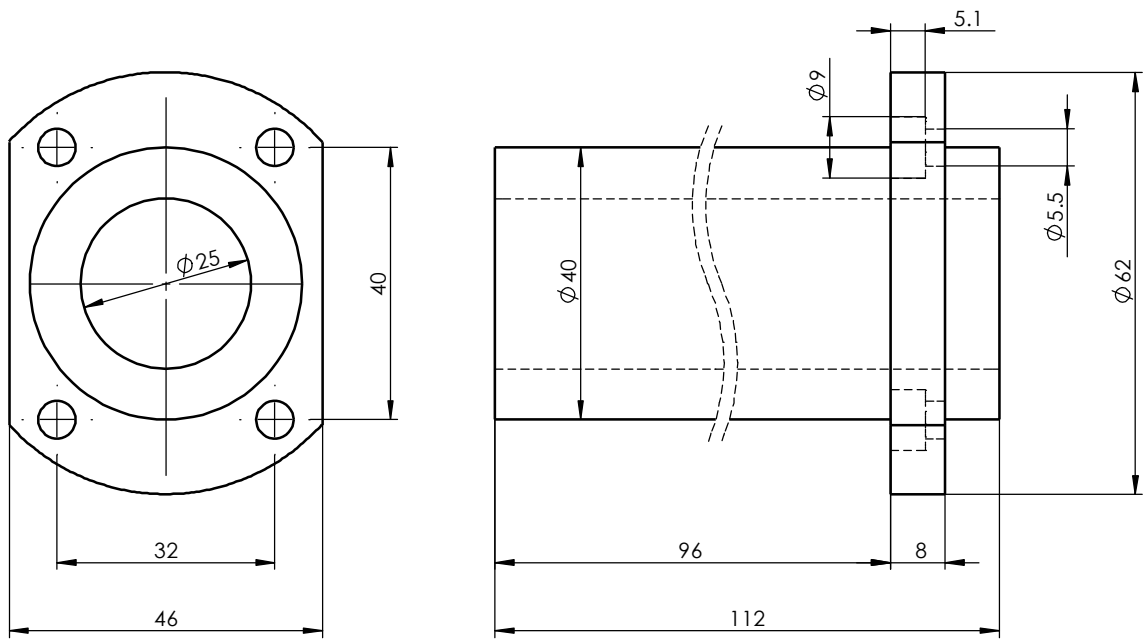


Size Unit: mm



Register

Tracing

Calibrating

Former No.

Drawing No.

						LMHP25LGA			Drawing No.	
									Material	
Signature		Marker	Numbers	Reversion	Signature	Date	Drawing Mark		Weight	Scale
Date		Design		Standarization		Check		Approved		
		Review								
		Technics		Date		A Total Of 1 Pages		Page No. 1		