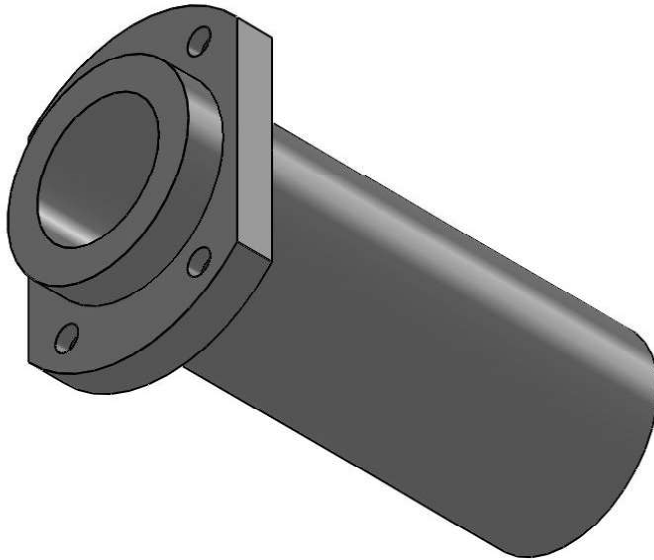
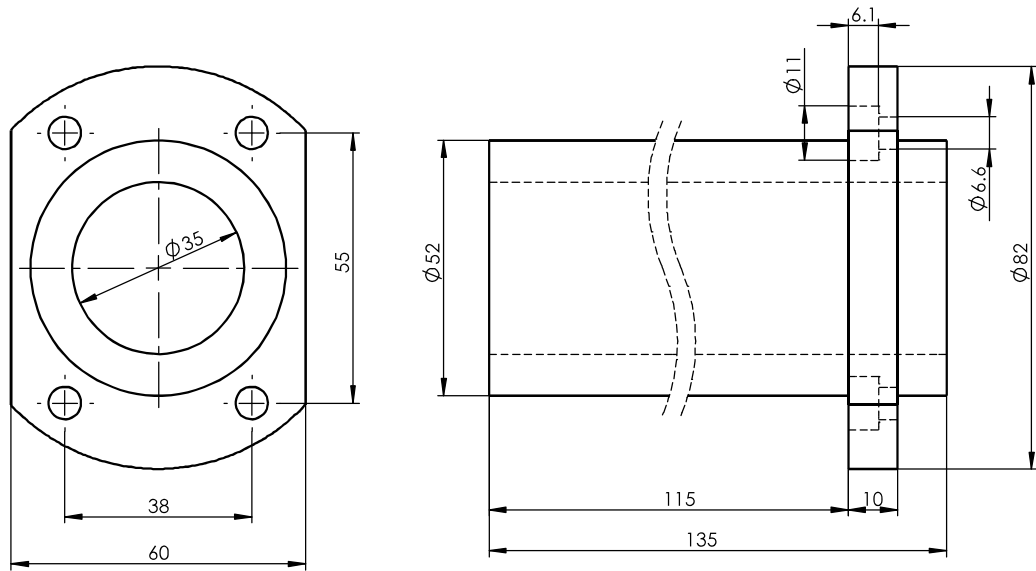


Size Unit: mm



Register  
Tracing  
Calibrating  
Former No.  
Drawing No.

						LMHP35LGA			Drawing No.		
Signature									Material		Heat Treatment
Marker		Numbers		Reversion		Signature		Date			
Design				Standarization				Drawing Mark		Weight	
Check				Approved							
Review											
Technics				Date				A Total Of 1 Pages		Page No. 1	