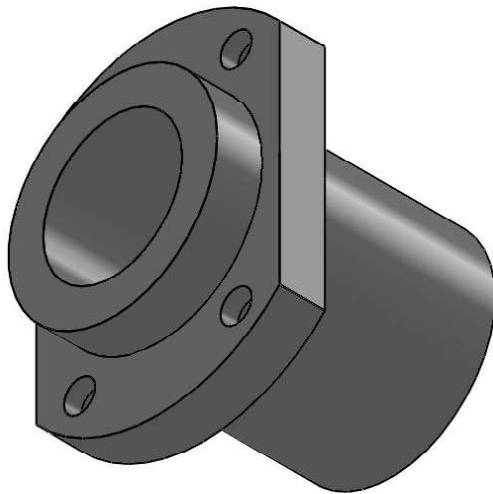
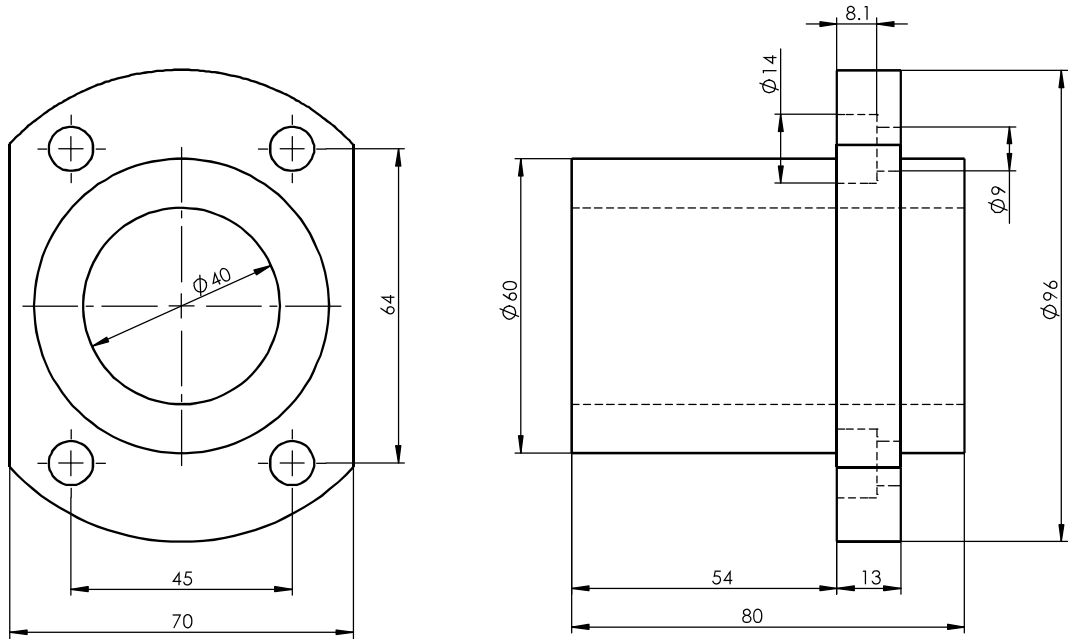


Size Unit: mm



Register
Tracing
Calibrating
Former No.
Drawing No.

						LMHP40GA			Drawing No.	
Signature									Material	
Marker		Numbers		Reversion		Signature		Date		
Design		Standarization		Drawing Mark		Weight		Scale		
Check		Approved								
Review										
Technics		Date		A Total Of 1 Pages		Page No. 1				