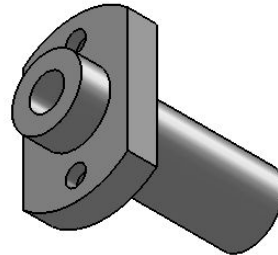
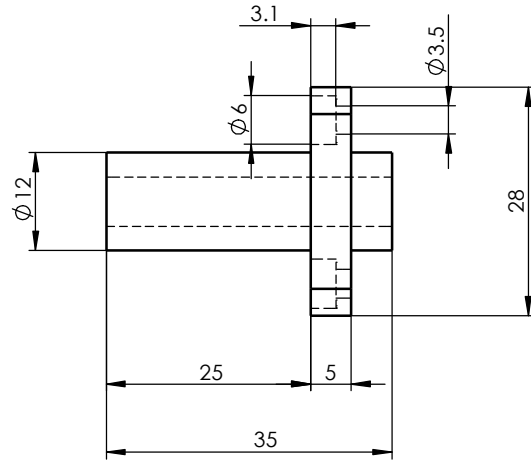
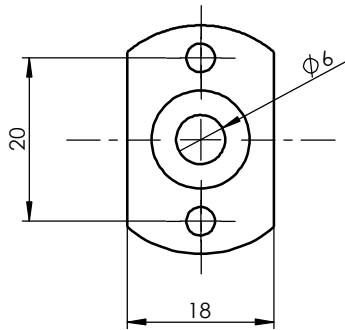


Size Unit: mm



Register

Tracing

Calibrating

Former No.

Drawing No.

LMHP6LGA

Drawing No.

Signature

Marker	Numbers	Reversion	Signature	Date
--------	---------	-----------	-----------	------

Material	Heat Treatment
----------	----------------

Date

Design	Standarization
Check	Approved
Review	
Technics	Date

Drawing Mark	Weight	Scale
--------------	--------	-------

A Total Of 1 Pages Page No. 1