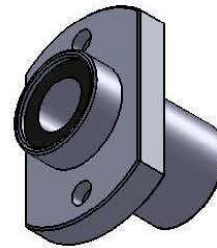
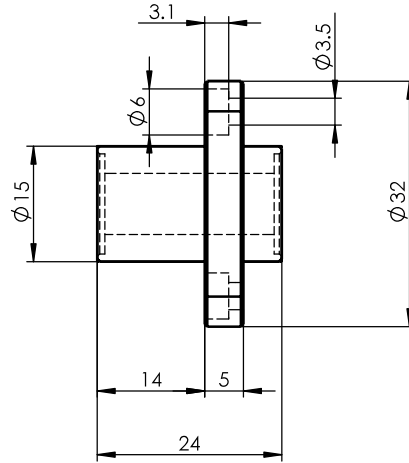
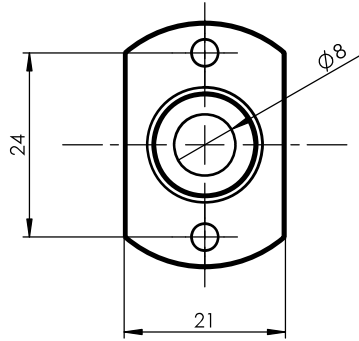


Size Unit: mm



Register  
Tracing  
Calibrating  
Former No.  
Drawing No.

						LMHP8UU			Drawing No.	
Signature									Material	
Design		Standarization		Drawing Mark		Weight		Scale		
Date		Approved								
Review										
Technics		Date		2013-10-14		A Total Of 1 Pages		Page No. 1		