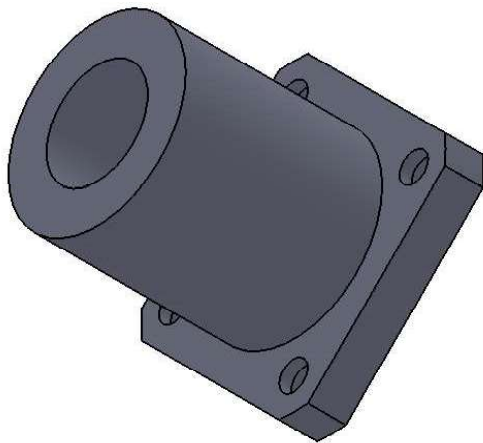
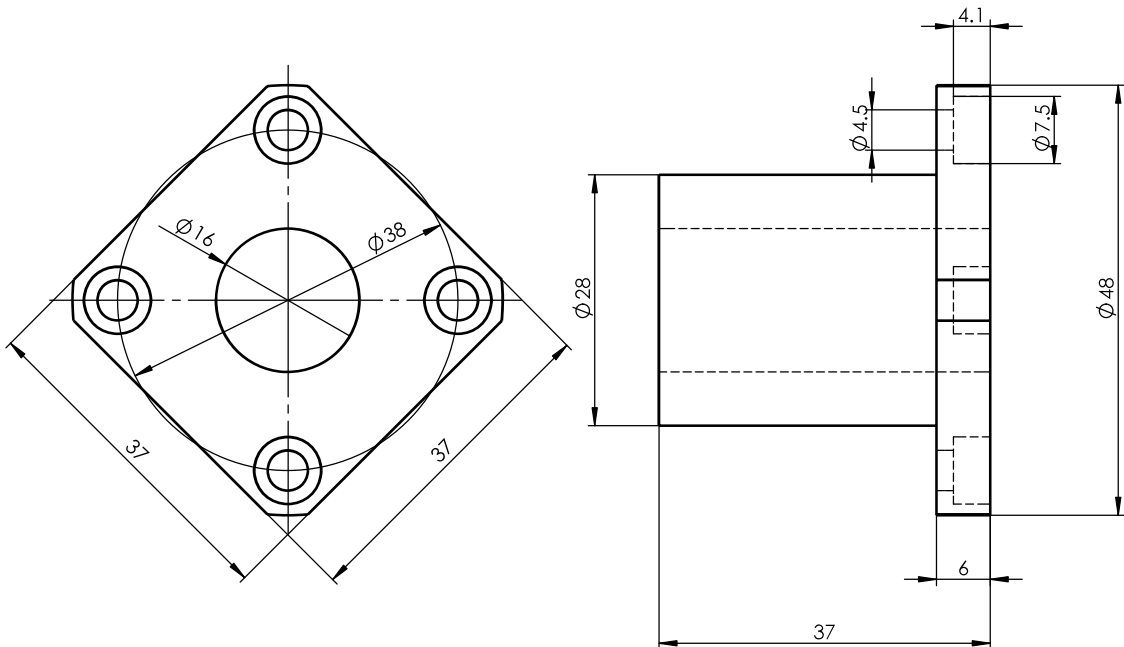


Size Unit: mm



Register  
Tracing  
Calibrating  
Former No.  
Drawing No.

						LMK16UU			Drawing No.		
Signature									Material		Heat Treatment
Date		Design		Standarization		Drawing Mark		Weight		Scale	
Date		Check		Approved							
Date		Review									
Technics		Date		2013-11-20		A Total Of 1 Pages		Page No. 1			