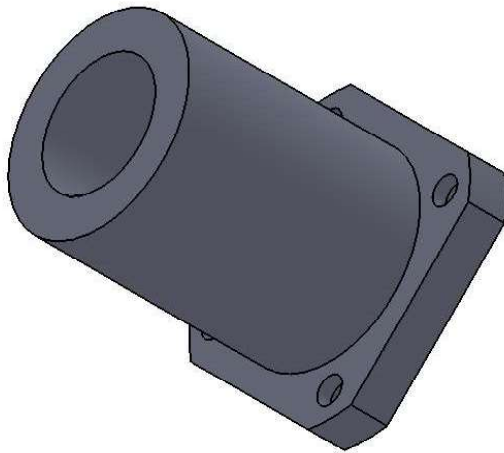
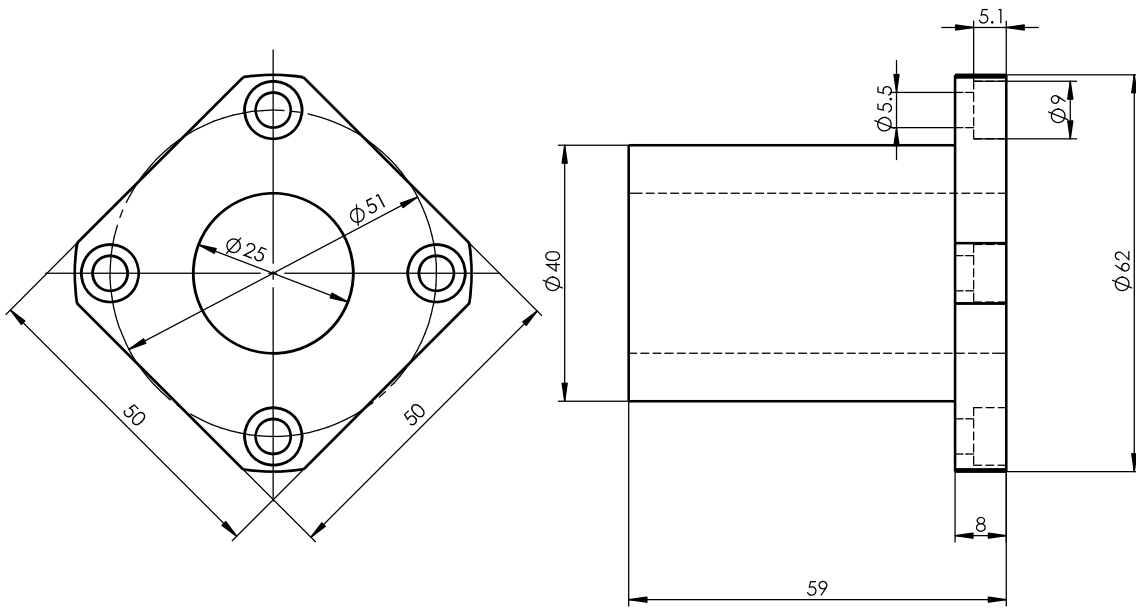


Size Unit: mm



Register
Tracing
Calibrating
Former No.
Drawing No.

						LMK25UU			Drawing No.	
Signature									Material	
Design		Standarization		Drawing Mark		Weight		Scale		
Check		Approved								
Date		Review								
Technics		Date		2013-11-20		A Total Of 1 Pages		Page No. 1		