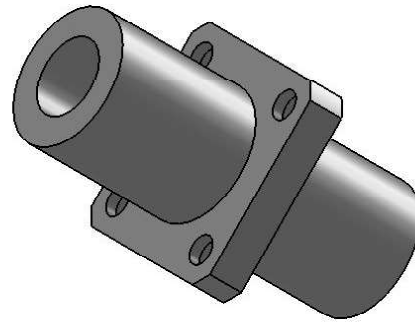
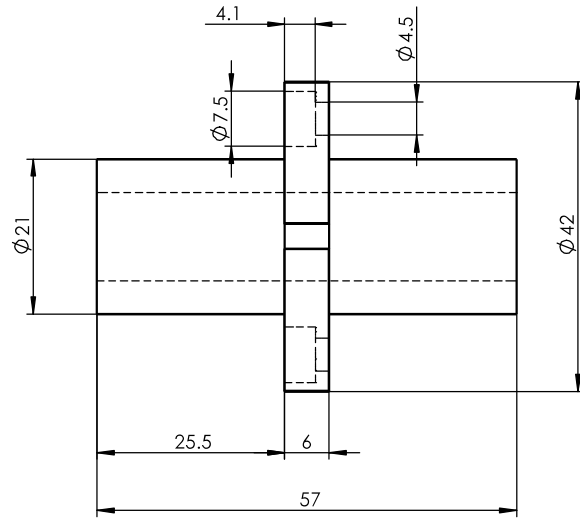
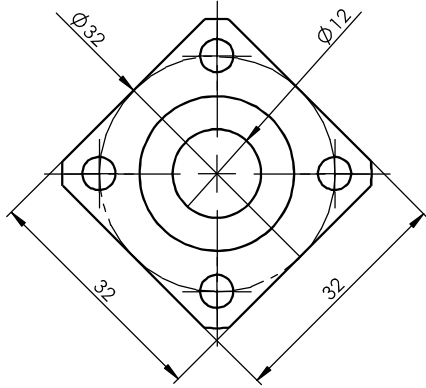


Size Unit: mm



- Register
- Tracing
- Calibrating
- Former No.
- Drawing No.

						LMKM12LGA			Drawing No.	
									Material	
Signature	Marker	Numbers	Reversion	Signature	Date	Drawing Mark		Weight	Scale	
Date	Design		Standarization		Drawing Mark		Weight	Scale		
	Check		Approved							
	Review									
	Technics		Date		A Total Of 1 Pages		Page No. 1			