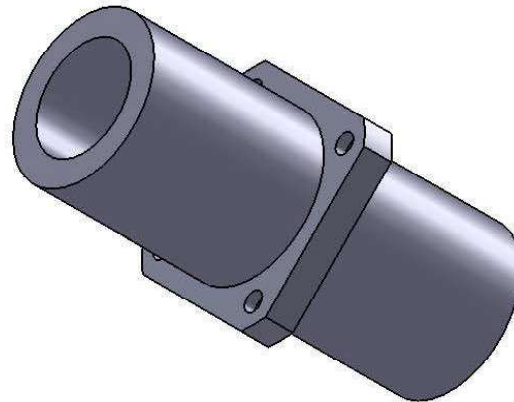
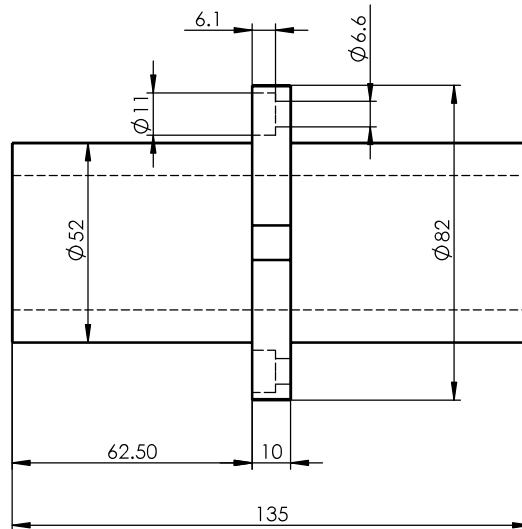
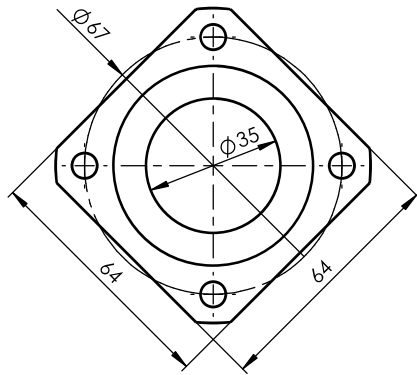


Size Unit: mm



Register
 Tracing
 Calibrating
 Former No.
 Drawing No.

						LMKM35LUU			Drawing No.	
Signature									Material	
Marker		Numbers		Reversion		Signature		Date		
Design		Standarization		Drawing Mark		Weight		Scale		
Date		Check		Approved						
		Review								
Technics		Date		2013-10-14		A Total Of 1 Pages		Page No. 1		