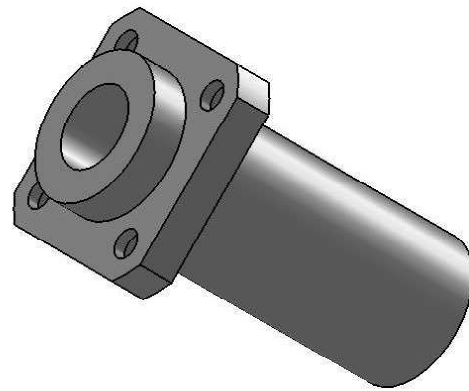
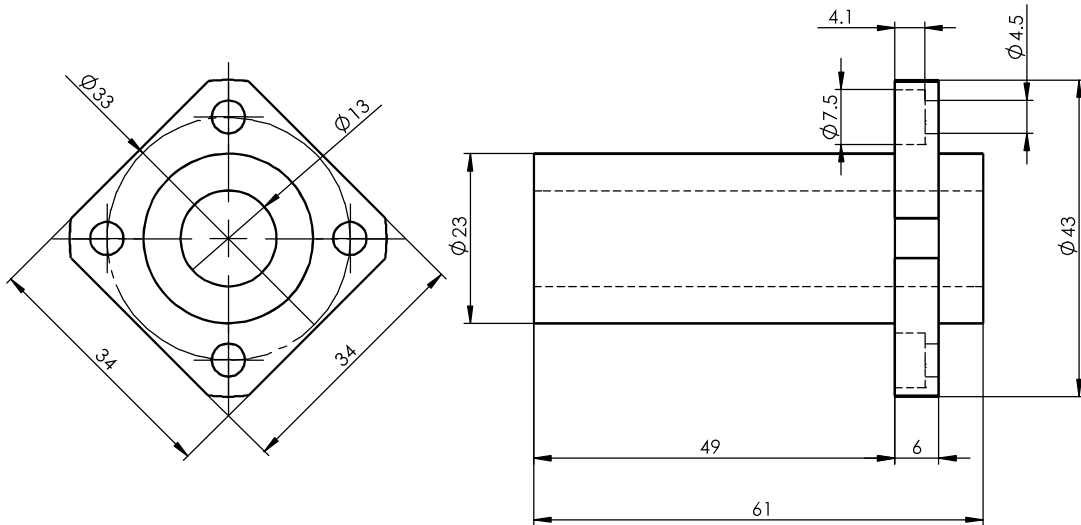


Size Unit: mm



Register
Tracing
Calibrating
Former No.
Drawing No.

						LMKP13LGA			Drawing No.	
Signature									Material	
Marker	Numbers	Reversion	Signature	Date	Design		Standardization	Drawing Mark	Weight	Scale
Date						Check		Approved		
						Review				
						Technics		Date		A Total Of 1 Pages Page No. 1