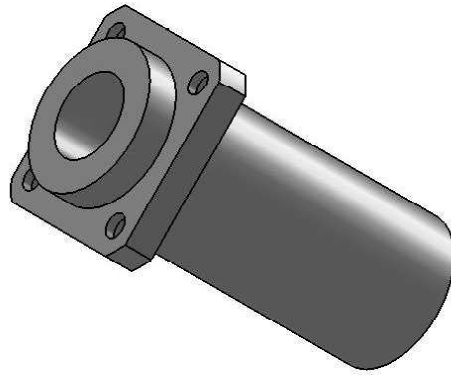
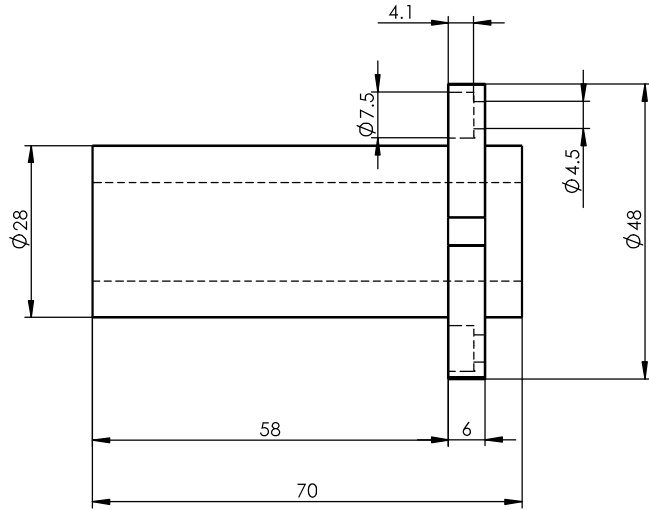
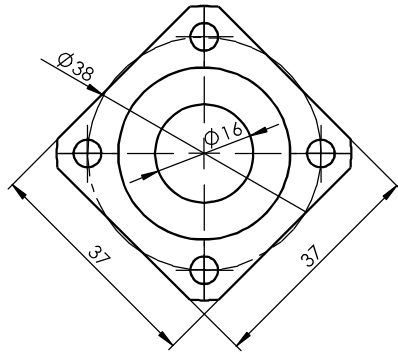


Size Unit: mm



- Register
- Tracing
- Calibrating
- Former No.
- Drawing No.

<b>LMKP16LGA</b>						Drawing No.	
Signature	Marker	Numbers	Reversion	Signature	Date	Material	Heat Treatment
Date	Design		Standarization		Drawing Mark	Weight	Scale
	Check		Approved				
	Review						
	Technics		Date		A Total Of 1 Pages		Page No. 1