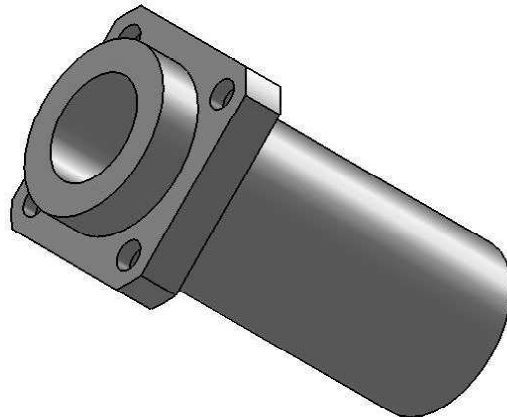
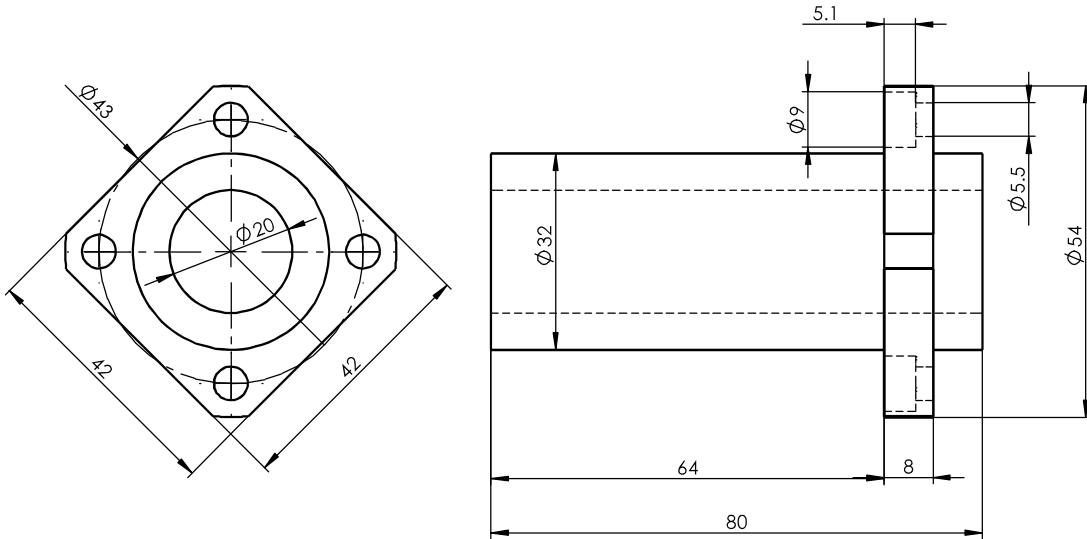


Size Unit: mm



Register
Tracing
Calibrating
Former No.
Drawing No.

| | | | | | | | | | | |
|-----------|---------|----------------|-----------|------|--|--------------------|--|------------|-------------|--|
| | | | | | | LMKP20LGA | | | Drawing No. | |
| Signature | | | | | | | | | Material | |
| Marker | Numbers | Reversion | Signature | Date | | Drawing Mark | | Weight | Scale | |
| Design | | Standarization | | | | | | | | |
| Check | | Approved | | | | | | | | |
| Review | | | | | | | | | | |
| Technics | | Date | | | | A Total Of 1 Pages | | Page No. 1 | | |