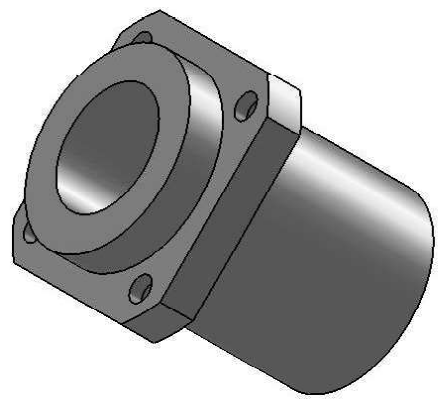
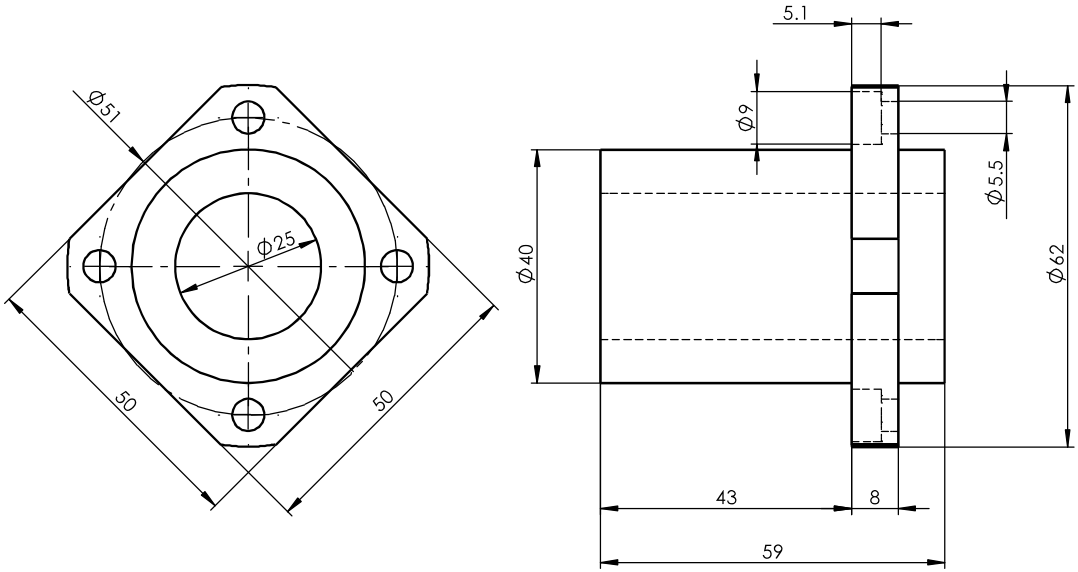


Size Unit: mm



Register
Tracing
Calibrating
Former No.
Drawing No.

						LMKP25GA			Drawing No.	
Signature									Material	
Marker	Numbers	Reversion	Signature	Date		Drawing Mark		Weight	Scale	
Date		Check	Approved							
	Review									
	Technics		Date		A Total Of 1 Pages		Page No. 1			