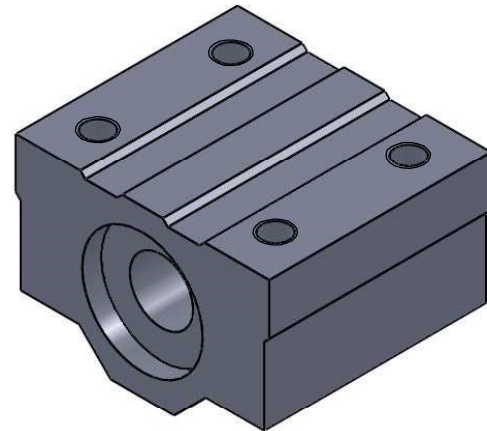
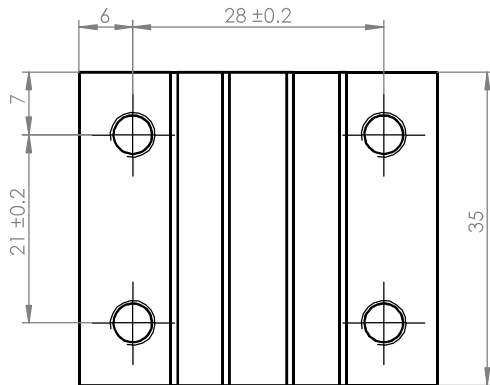
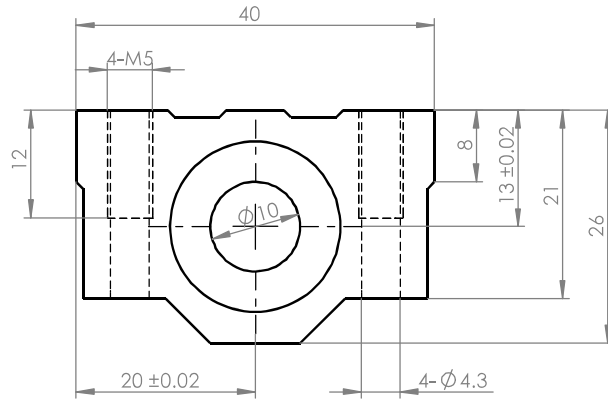


Size Unit: mm



Register

Tracing

Calibrating

Former No.

Drawing No.

SC10UU

Drawing No.

Signature

Marker Numbers Reversion Signature Date

Material Heat Treatment

Design Standardization Drawing Mark Weight Scale

Date

Check Approved

Review

Technics Date A Total Of 1 Pages Page No. 1