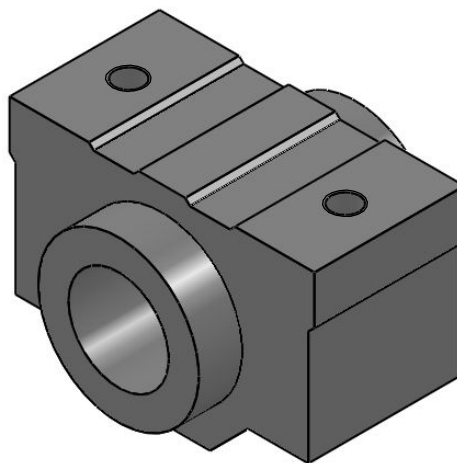
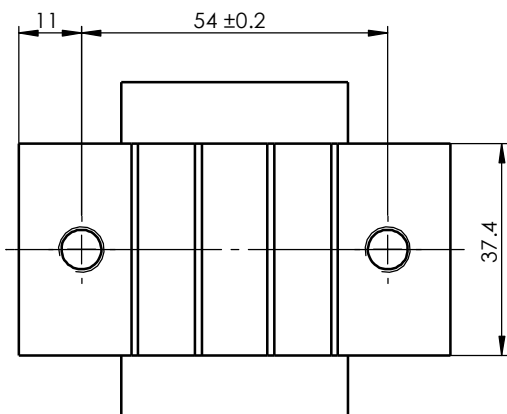
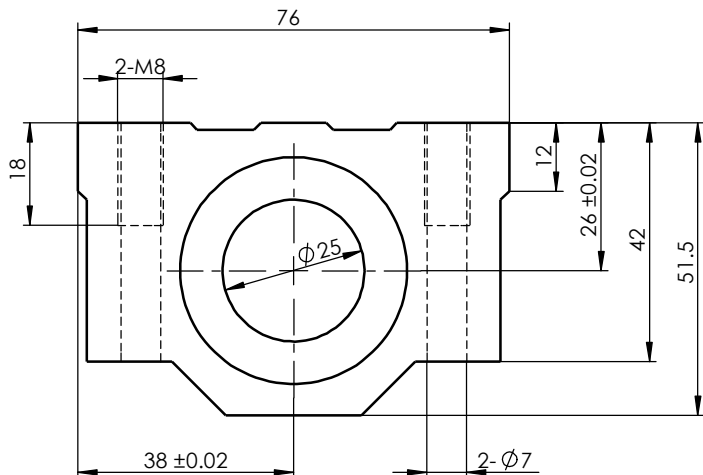


Size Unit: mm



Register

Tracing

Calibrating

Former No.

Drawing No.

SC25SUU

Drawing No.

Signature

Marker Numbers Reversion Signature Date

Material

Heat Treatment

Date

Design Standarization
 Check Approved
 Review
 Technics Date

Drawing Mark Weight Scale

A Total Of 1 Pages Page No. 1