

直线轴承箱式单元 Linear Motion Ball Bearings Slide Unites

● SNB公司提供各类轴承滑动单元，供设计直线运动产品时采用。精密加工的铝制滑动单元，遵循标准化的设计，具有可互换性，成本低，设计高效等优点。

● SNB can supply all types of aluminium linear slide units with features of low cost, ease of replacement and high precision can be widely designed into many different linear motion applications. Such as factory automated equipment, machine tools, industrial machines, electrical machine tools and soon. Processing aluminium slide units strictly follows standardized design.



间隙可调型铝制箱式单元（带有沿轴轨槽）
SCJ型能通过间隙调整实现轴与箱体精密配合。
SCJ clearance adjustment aluminium Slide Units
(include along shaft groove)
SCJ serie can accomplish shaft with case unit through clearance adjustment perfectly.



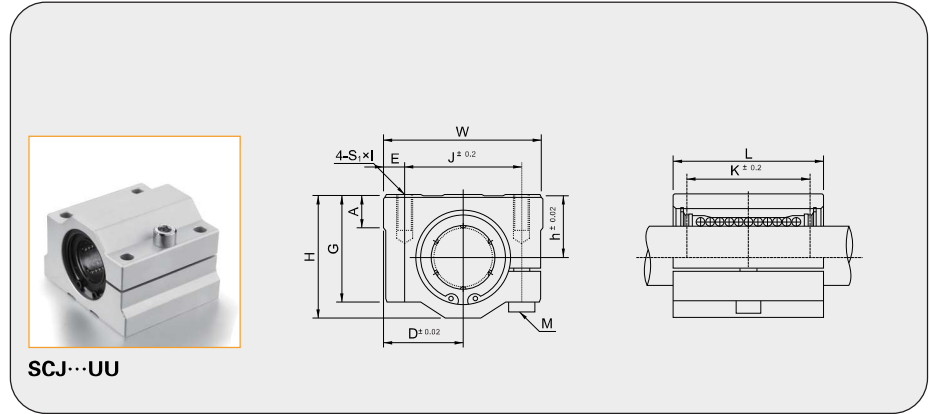
标准型铝制箱式单元
通过螺栓实现简单安装。
SC(E) Standard aluminium Slide Units
Through screw accomplish simple installation



长型铝制箱式单元（带有两个标准型直线轴承）
SC(E)...L Long-length aluminium Slide Units
(include two standard linear motion ball bearings)



短型铝制箱式单元（带有标准型直线轴承）
比SC(E)型更紧凑。
SC(E)...S Shorten aluminium Slide Units
(include one standard linear motion ball bearings)
Than SC(E) much compact.



SCJ...UU

型号 Model	内装轴承 Liner bearing	额定负荷 Basic load rating		轴径 Shaft diameter mm	尺寸 Dimensions (mm)													重量 Weight (g)
		动负荷 Dynamic C N	静负荷 Static Co N		h	D	W	H	G	A	J	E	S ₁ ×I	K	L	M		
SCJ10UU	LM10UU-AJ	372	549	10	13	20	40	26	21	8.0	28	6.0	M5x12	21	35	M5	90	
SCJ12UU	LM12UU-AJ	510	784	12	15	21	42	28	24	8.0	30.5	5.75	M5x12	26	36	M5	112	
SCJ13UU	LM13UU-AJ	510	784	13	15	22	44	30	24.5	8.0	33	5.5	M5x12	26	39	M5	123	
SCJ16UU	LM16UU-AJ	774	1,180	16	19	25	50	38.5	32.5	9.0	36	7.0	M5x12	34	44	M5	189	
SCJ20UU	LM20UU-AJ	882	1,370	20	21	27	54	41	35	11	40	7.0	M6x12	40	50	M5	237	
SCJ25UU	LM25UU-AJ	980	1,570	25	26	38	76	51.5	42	12	54	11	M8x18	50	67	M6	555	
SCJ30UU	LM30UU-AJ	1,570	2,740	30	30	39	78	59.5	49	15	58	10	M8x18	58	72	M6	685	
SCJ35UU	LM35UU-AJ	1,670	3,140	35	34	45	90	68	54	18	70	10	M8x18	60	80	M6	1,100	
SCJ40UU	LM40UU-AJ	2,160	4,020	40	40	51	102	78	62	20	80	11	M10x25	60	90	M8	1,600	
SCJ50UU	LM50UU-AJ	3,820	7,940	50	52	61	122	102	80	25	100	11	M10x25	80	110	M8	3,350	

产品型号说明 Product model Description

