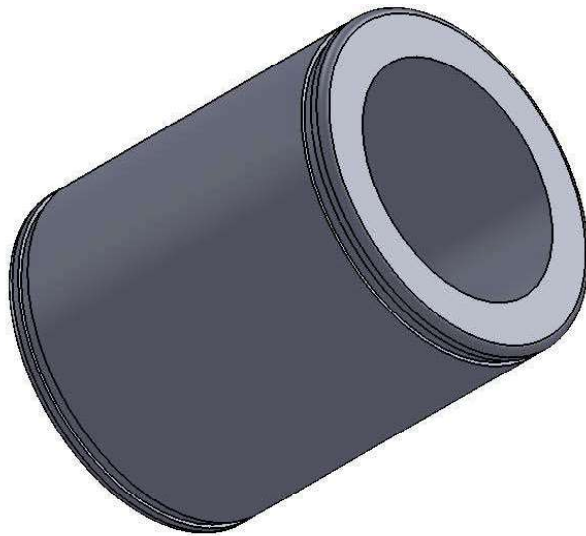
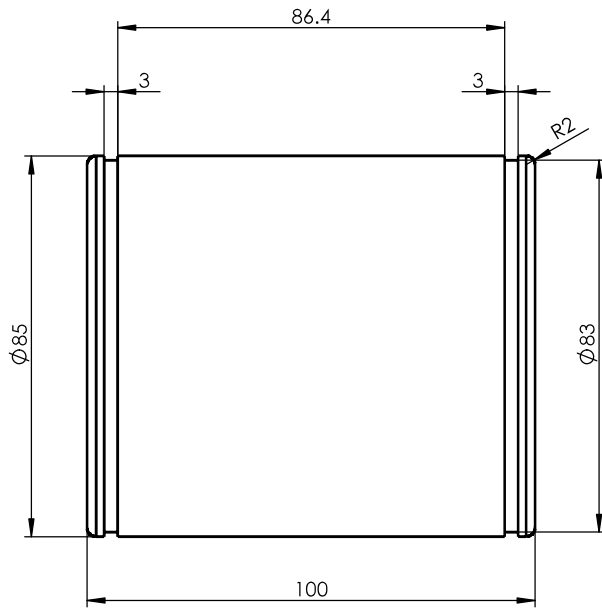


Size Unit: mm



Register
Tracing
Calibrating
Former No.
Drawing No.

						ST60			Drawing No.		
Signature									Material		Heat Treatment
Marker		Numbers		Reversion		Signature		Date		Design	
Check		Approved				Drawing Mark		Weight		Scale	
Date		Review									
Technics		Date		2013-11-22		A Total Of 1 Pages		Page No. 1			