

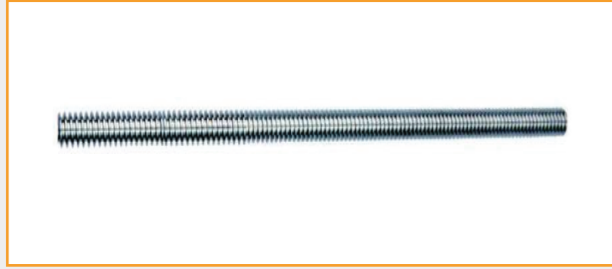
轧梯形螺纹规格: TM

最长可提供12米长

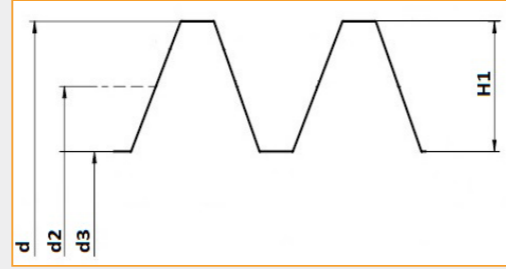
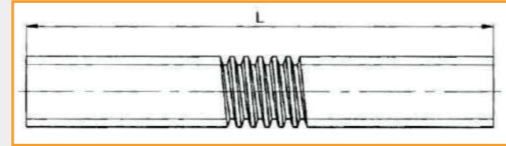
材质: C45

Roller Trapezoidal Thread Screw: TM

Maximum Length of 12 meters. All models are made of C45 medium carbon steel or according to customer's requirements.



TM

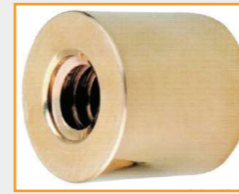


圆螺母: TMS

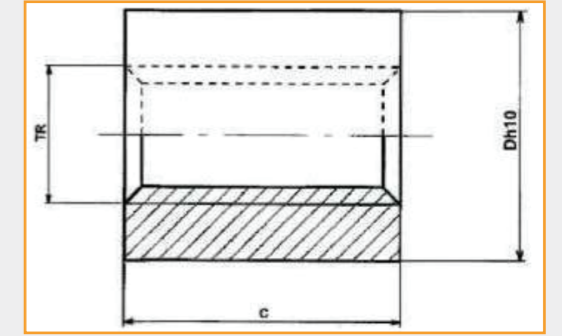
材质: 青铜或黄铜

Round Nuts - TMS

All models are made of Bronze, Brass or according to customer's requirement.



TMS



规格 TM	重量 Weight (g)	主要尺寸和公差 Major dimensions and tolerance						公差 Tolerance μ m/300mm	直线度 Max Straightness mm/300	螺旋角 Lead Angle mm
		d max	d min	d2 max	d2 min	d3 max	d3 min			
		mm	mm	mm	mm	mm	mm			
TM10x2	0.482	10	9.820	8.929	8.739	7.500	6.890	200	0.5	4° 07'
TM10x4-P2	0.48	10	9.820	8.929	8.719	7.500	6.890	300	0.5	8° 12'
TM12x3	0.653	12	11.764	10.415	10.191	8.500	7.685	200	0.5	5° 17'
TM12x6-P3	0.653	12	11.764	10.415	10.164	8.500	7.685	300	0.5	10° 30'
TM14x3	0.932	14	13.764	12.415	12.191	10.500	9.685	200	0.5	4° 26'
TM14x6-P3	0.932	14	13.764	12.415	12.164	10.500	9.685	300	0.5	8° 49'
TM16x4	1.173	16	15.700	13.905	13.640	11.500	10.474	50	0.5	5° 16'
TM16x8-P4	1.173	16	15.700	13.905	13.608	11.500	10.474	100	0.5	10° 29'
TM18x4	1.528	18	17.700	15.905	15.640	13.500	12.474	50	0.5	4° 36'
TM18x8-P4	1.528	18	17.700	15.905	15.608	13.500	12.474	100	0.5	9° 20'
TM20x4	1.940	20	19.700	17.905	17.640	15.500	14.474	50	0.5	4° 05'
TM20x8-P4	1.940	20	19.700	17.905	17.608	15.500	14.474	100	0.5	8° 09'
TM22x5	2.294	22	21.665	19.394	19.114	16.500	15.294	50	0.2	4° 43'
TM22x10-P5	2.294	22	21.665	19.390	19.080	16.500	15.294	200	0.3	9° 23'
TM24x5	2.781	24	23.665	21.394	21.094	18.500	17.269	50	0.2	4° 17'
TM24x10-P5	2.781	24	23.665	21.394	21.058	18.500	17.269	200	0.3	8° 31'
TM26x5	3.329	26	25.665	23.394	23.094	20.500	19.269	50	0.2	3° 55'
TM26x10-P5	3.329	26	25.665	23.394	23.058	20.500	19.269	200	0.3	7° 48'
TM28x5	3.905	28	27.665	25.394	25.094	22.500	21.269	50	0.2	3° 36'
TM28x10-P5	3.905	28	27.665	25.394	25.058	22.500	21.269	200	0.3	7° 12'
TM30x6	4.358	30	29.625	26.882	26.547	23.000	21.563	70	0.2	4° 05'
TM30x12-P6	4.358	30	29.625	26.882	26.507	23.000	21.563	200	0.3	8° 08'
TM32x6	5.038	32	31.625	28.882	28.547	25.000	23.563	70	0.2	3° 48'
TM32x12-P6	5.038	32	31.625	28.882	28.507	25.000	23.563	200	0.3	7° 34'
TM36x6	6.548	36	35.625	32.882	32.547	29.000	27.563	70	0.2	3° 20'
TM36x12-P6	6.548	36	35.625	32.882	32.507	29.000	27.563	200	0.3	6° 39'
TM40x7	7.983	40	39.575	36.375	36.020	32.000	30.381	80	0.2	3° 31'
TM40x14-P7	7.983	40	39.575	36.375	35.978	32.000	30.381	200	0.3	7° 01'
TM44x7	9.856	44	43.575	40.375	40.020	36.000	34.381	80	0.2	3° 10'
TM44x14-P7	9.856	44	43.575	40.375	39.978	36.000	34.381	200	0.3	6° 20'
TM50x8	12.696	50	49.550	45.868	45.468	41.000	39.168	100	0.2	3° 11'
TM55x9	15.400	55	54.500	50.360	49.935	45.000	42.979	100	0.2	3° 16'
TM60x9	18.498	60	59.500	55.360	54.935	50.000	47.979	100	0.2	2° 58'
TM70x10	25.627	70	69.470	64.350	64.425	59.000	56.819	100	0.4	2° 49'
TM80x10	34.189	80	79.470	74.350	74.425	69.000	66.819	100	0.4	2° 27'

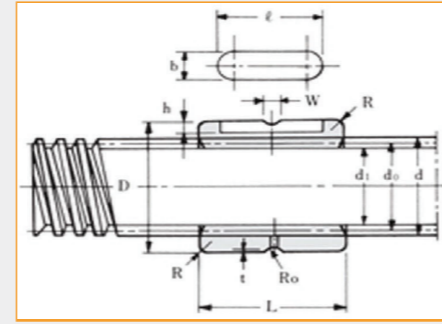
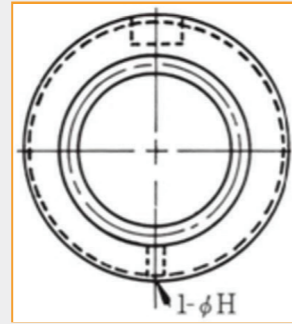
单头 Single Start					双头 Double Start				
规格 Size	D mm	C mm	受力面积 Contact Surface mm ²	重量 Weight kg	规格 Size	D mm	C mm	受力面积 Contact Surface mm ²	重量 Weight kg
TMS10x2	22	20	200	0.053	TR12x6-P3	26	24	280	0.083
TMS10x3	23	20	-	0.053	TR14x6-P3	30	28	380	0.135
TMS12x3	26	24	280	0.082	TR16x8-P4	36	32	490	0.232
TMS14x3	30	28	380	0.135	TR18x8-P4	40	36	630	0.320
TMS14x3	31	28	-	0.135	TR20x8-P4	45	40	790	0.455
TMS16x4	36	32	490	0.232	TR22x10-P5	45	44	940	0.480
TMS18x4	40	36	630	0.320	TR24x10-P5	50	48	1130	0.656
TMS20x4	45	40	790	0.455	TR26x10-P5	50	52	1340	0.670
TMS22x5	45	44	940	0.480	TR28x10-P5	60	52	1570	1.102
TMS24x5	50	48	1130	0.656	TR30x12-P6	60	56	1570	1.140
TMS26x5	50	52	1340	0.670	TR32x12-P6	60	60	1780	1.177
TMS28x5	60	56	1570	1.102	TR36x12-P6	75	64	1910	2.189
TMS30x6	60	60	1780	1.140	TR40x14-P7	80	72	2610	2.725
TMS32x6	60	64	1910	1.177	TR50x16-P8	90	80	3210	4.014
TMS36x6	75	72	2610	2.189					
TMS40x7	80	80	3210	2.725			100	5060	
TMS44x7	80	88	3920	2.815					
TMS50x8	90	100	5060	4.014					
TMS60x9	100	120	7320	5.150					
TMS70x10	110	140	10000	7.805					
TMS80x10	122	160	-	8.400					

国际单位: 1N ≈ 0.225lbs
1kg ≈ 2.205lbs
SIUNIT: 1N ≈ 0.225lbs
1kg ≈ 2.205lbs

圆螺母: TMS-OH
 材质: 青铜或黄铜
 Round Nut (Oil Port Installed) : TMS-OH
 All models are made of Bronze, Brass
 or according to customer's requirement.



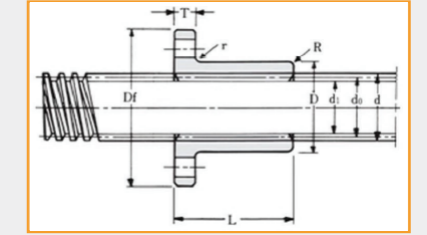
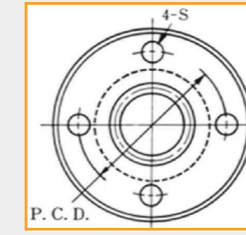
TMS-OH



圆螺母: TMF
 材质: 青铜或黄铜
 Round Nuts - TMF
 All models are made of Bronze, Brass
 or according to customer's requirement.



TMF



规格 TMS-OH	重量 Weight (g)	Pitch	D	Dh8	L	R	b	e	h	H	W	R ₀	t	FA(kN)	d0	d1	a
TMS10-OH	0.04	2	10	20	20	1	4	14	2	1.5	2.5	1.8	0.5	1	9	7.5	4
TMS10L-OH	0.04	2	10	20	20	1	4	14	2	1.5	2.5	1.8	0.5	1	9	7.5	4
TMS12-OH	0.05	2	12	22	22	1	4	16	2	1.5	2.5	1.8	0.5	1.3	11	9.5	3
TMS12L-OH	0.05	2	12	22	22	1	4	16	2	1.5	2.5	1.8	0.5	1.3	11	9.5	3
TMS14-OH	0.05	3	14	22	22	1	4	16	2	1.5	2.5	1.8	0.5	1.6	12.5	10.5	4
TMS14L-OH	0.05	3	14	22	22	1	4	16	2	1.5	2.5	1.8	0.5	1.6	12.5	10.5	4
TMS16-OH	0.1	3	16	28	26	1	5	18	2.5	1.5	2.5	1.8	0.5	2.3	14.5	12.5	3
TMS16L-OH	0.1	3	16	28	26	1	5	18	2.5	1.5	2.5	1.8	0.5	2.3	14.5	12.5	3
TMS18-OH	0.16	4	18	32	31	1.5	7	22	2.5	2	3	2.5	0.5	3.1	16	13.5	4
TMS18L-OH	0.16	4	18	32	31	1.5	7	22	2.5	2	3	2.5	0.5	3.1	16	13.5	4
TMS20-OH	0.15	4	20	32	31	1.5	7	22	2.5	2	3	2.5	0.5	3.5	18	15.5	4
TMS20L-OH	0.15	4	20	32	31	1.5	7	22	2.5	2	3	2.5	0.5	3.5	18	15.5	4
TMS22-OH	0.24	5	22	36	40	1.5	7	26	2.5	2.5	3.5	2.5	0.7	4.5	19.5	16.5	4
TMS22L-OH	0.24	5	22	36	40	1.5	7	26	2.5	2.5	3.5	2.5	0.7	4.5	19.5	16.5	4
TMS25-OH	0.21	5	25	36	40	1.5	7	26	2.5	2.5	3.5	2.5	0.7	5.1	22.5	19.5	4
TMS25L-OH	0.21	5	25	36	40	1.5	7	26	2.5	2.5	3.5	2.5	0.7	5.1	22.5	19.5	4
TMS28-OH	0.39	5	28	44	45	2	10	32	4	2.5	3.5	2.5	0.7	6.6	25.5	22.5	3
TMS28L-OH	0.39	5	28	44	45	2	10	32	4	2.5	3.5	2.5	0.7	6.6	25.5	22.5	3
TMS32-OH	0.32	6	32	44	45	2	10	32	4	2.5	3.5	2.5	0.7	7.7	29	25.5	3
TMS32L-OH	0.32	6	32	44	45	2	10	32	4	2.5	3.5	2.5	0.7	7.7	29	25.5	3
TMS36-OH	0.53	6	36	52	49	2	12	40	4.5	3	4	3.2	0.7	9.6	33	29.5	3
TMS36L-OH	0.53	6	36	52	49	2	12	40	4.5	3	4	3.2	0.7	9.6	33	29.5	3
TMS40-OH	0.72	6	40	58	57	2	12	42	5	3	4	3.2	0.7	12.7	37	33.5	2
TMS40L-OH	0.72	6	40	58	57	2	12	42	5	3	4	3.2	0.7	12.7	37	33.5	2

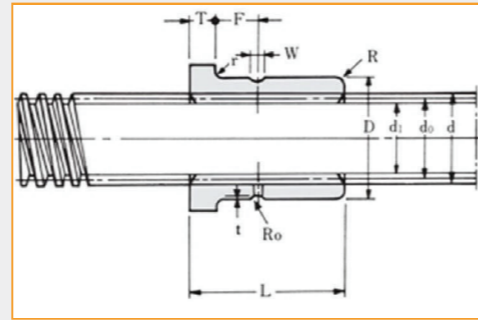
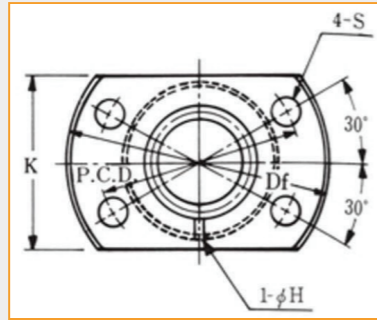
规格 TMF	重量 Weight (g)	Df	Pitch	D	Dh8	P.C.D	L	R	r	T	F	S	H	W	R ₀	t	FA(kN)	d0	d1	a
TMF10	0.04	36	2	10	20	26	24	1	1	5	6	4.3	1.5	2.5	1.8	0.5	1.2	9	7.5	0.6
TMF10L	0.04	36	2	10	20	26	24	1	1	5	6	4.3	1.5	2.5	1.8	0.5	1.2	9	7.5	0.6
TMF12	0.05	44	2	12	22	31	30	1	1	5	7	5.4	1.5	2.5	1.8	0.5	1.9	11	9.5	0.8
TMF12L	0.05	44	2	12	22	31	30	1	1	5	7	5.4	1.5	2.5	1.8	0.5	1.9	11	9.5	0.8
TMF14	0.05	44	3	14	22	31	30	1	1	5	7	5.4	1.5	2.5	1.8	0.5	2.3	12.5	10.5	1
TMF14L	0.05	44	3	14	22	31	30	1	1	5	7	5.4	1.5	2.5	1.8	0.5	2.3	12.5	10.5	1
TMF16	0.1	51	3	16	28	38	35	1	1	6	8	6.6	1.5	2.5	1.8	0.5	3.1	14.5	12.5	1.3
TMF16L	0.1	51	3	16	28	38	35	1	1	6	8	6.6	1.5	2.5	1.8	0.5	3.1	14.5	12.5	1.3
TMF18	0.16	56	4	18	32	42	40	1	1	6	10.5	6.6	2	3	2.5	0.5	4.1	16	13.5	1.6
TMF18L	0.16	56	4	18	32	42	40	1	1	6	10.5	6.6	2	3	2.5	0.5	4.1	16	13.5	1.6
TMF20	0.15	56	4	20	32	42	40	1.5	1	6	10.5	6.6	2	3	2.5	0.5	4.6	18	15.5	2
TMF20L	0.15	56	4	20	32	42	40	1.5	1	6	10.5	6.6	2	3	2.5	0.5	4.6	18	15.5	2
TMF22	0.24	61	5	22	36	47	50	1.5	1	7	14	6.6	2.5	3.5	2.5	0.7	5.8	19.5	16.5	2.3
TMF22L	0.24	61	5	22	36	47	50	1.5	1	7	14	6.6	2.5	3.5	2.5	0.7	5.8	19.5	16.5	2.3
TMF25	0.21	61	5	25	36	47	50	1.5	1	7	14	6.6	2.5	3.5	2.5	0.7	6.6	22.5	19.5	3.1
TMF25L	0.21	61	5	25	36	47	50	1.5	1	7	14	6.6	2.5	3.5	2.5	0.7	6.6	22.5	19.5	3.1
TMF28	0.39	76	5	28	44	58	56	2	1	8	15	9	2.5	3.5	2.5	0.7	8.5	22.5	22.5	4
TMF28L	0.39	76	5	28	44	58	56	2	1	8	15	9	2.5	3.5	2.5	0.7	8.5	22.5	22.5	4
TMF32	0.32	76	6	32	44	58	56	2	1	8	15	9	2.5	3.5	2.5	0.7	9.8	29	25.5	5.2
TMF32L	0.32	76	6	32	44	58	56	2	1	8	15	9	2.5	3.5	2.5	0.7	9.8	29	25.5	5.2
TMF36	0.53	84	6	36	52	66	60	2	1	8	17	9	3	4	3.2	0.7	12	33	29.5	6.7
TMF36L	0.53	84	6	36	52	66	60	2	1	8	17	9	3	4	3.2	0.7	12	33	29.5	6.7
TMF40	0.72	98	6	40	58	76	70	2	1	10	19	11	3	4	3.2	0.7	16	37	33.5	8.4
TMF40L	0.72	98	6	40	58	76	70	2	1	10	19	11	3	4	3.2	0.7	16	37	33.5	8.4

国际单位: 1N ≈ 0.225lbs
 1kg ≈ 2.205lbs
 SIUNIT: 1N ≈ 0.225lbs
 1kg ≈ 2.205lbs

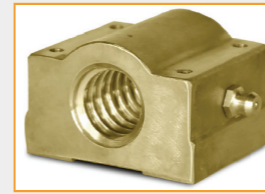
圆螺母: TMK-OH
 材质: 青铜或黄铜
 Round Nut (Oil Port Installed): TMK-OH
 All models are made of Bronze, Brass
 or according to customer's requirement.



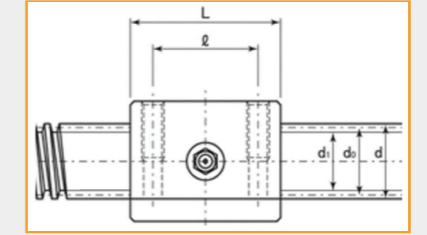
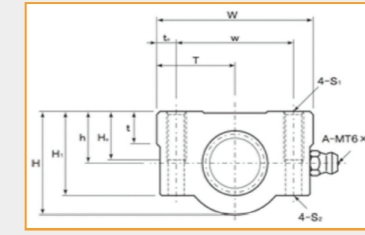
TMK-OH



箱式单元: TMH
 材质: 青铜或黄铜
 Slide Unit: TMH
 All models are made of Bronze, Brass
 or according to customer's requirement.



TMH



规格 TMK-OH	重量 Weight (g)	Df	Pitch	D	Dh8	P.C.D	L	R	K	T	F	S	H	W	R ₀	t	FA(kN)	d ₀	d ₁	a
TMK10-OH	0.07	36	2	10	20	26	24	1	22	5	6	4.3	1.5	2.5	1.8	0.5	1.2	9	7.5	4
TMK10L-OH	0.07	36	2	10	20	26	24	1	22	5	6	4.3	1.5	2.5	1.8	0.5	1.2	9	7.5	4
TMK12-OH	0.1	44	2	12	22	31	30	1	24	5	7	5.4	1.5	2.5	1.8	0.5	1.9	11	9.5	3
TMK12L-OH	0.1	44	2	12	22	31	30	1	24	5	7	5.4	1.5	2.5	1.8	0.5	1.9	11	9.5	3
TMK14-OH	0.09	44	3	14	22	31	30	1	24	5	7	5.4	1.5	2.5	1.8	0.5	2.3	12.5	10.5	4
TMK14L-OH	0.09	44	3	14	22	31	30	1	24	5	7	5.4	1.5	2.5	1.8	0.5	2.3	12.5	10.5	4
TMK16-OH	0.18	51	3	16	28	38	35	1	30	6	8	6.6	1.5	2.5	1.8	0.5	3.1	14.5	12.5	3
TMK16L-OH	0.18	51	3	16	28	38	35	1	30	6	8	6.6	1.5	2.5	1.8	0.5	3.1	14.5	12.5	3
TMK18-OH	0.23	56	4	18	32	42	40	1.5	34	6	10.5	6.6	2	3	2.5	0.5	4.1	16	13.5	4
TMK18L-OH	0.23	56	4	18	32	42	40	1.5	34	6	10.5	6.6	2	3	2.5	0.5	4.1	16	13.5	4
TMK20-OH	0.23	56	4	20	32	42	40	1.5	34	6	10.5	6.6	2	3	2.5	0.5	4.6	18	15.5	4
TMK20L-OH	0.23	56	4	20	32	42	40	1.5	34	6	10.5	6.6	2	3	2.5	0.5	4.6	18	15.5	4
TMK22-OH	0.38	61	5	22	36	47	50	1.5	40	7	14	6.6	2.5	3.5	2.5	0.7	5.8	19.5	16.5	4
TMK22L-OH	0.38	61	5	22	36	47	50	1.5	40	7	14	6.6	2.5	3.5	2.5	0.7	5.8	19.5	16.5	4
TMK25-OH	0.31	61	5	25	36	47	50	1.5	40	7	14	6.6	2.5	3.5	2.5	0.7	6.6	22.5	19.5	4
TMK25L-OH	0.31	61	5	25	36	47	50	1.5	40	7	14	6.6	2.5	3.5	2.5	0.7	6.6	22.5	19.5	4
TMK28-OH	0.57	76	5	28	44	58	56	2	48	8	15	9	2.5	3.5	2.5	0.7	8.5	22.5	22.5	3
TMK28L-OH	0.57	76	5	28	44	58	56	2	48	8	15	9	2.5	3.5	2.5	0.7	8.5	22.5	22.5	3
TMK32-OH	0.52	76	6	32	44	58	56	2	48	8	15	9	2.5	3.5	2.5	0.7	9.8	29	25.5	3
TMK32L-OH	0.52	76	6	32	44	58	56	2	48	8	15	9	2.5	3.5	2.5	0.7	9.8	29	25.5	3
TMK36-OH	0.76	84	6	36	52	66	60	2	56	8	17	9	3	4	3.2	0.7	12	33	29.5	3
TMK36L-OH	0.76	84	6	36	52	66	60	2	56	8	17	9	3	4	3.2	0.7	12	33	29.5	3
TMK40-OH	1.09	98	6	40	58	76	70	2	62	10	19	11	3	4	3.2	0.7	16	37	33.5	2
TMK40L-OH	1.09	98	6	40	58	76	70	2	62	10	19	11	3	4	3.2	0.7	16	37	33.5	2

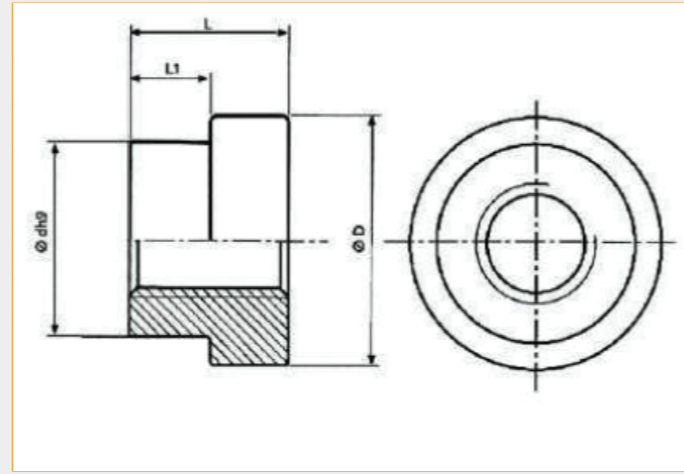
规格 TMH	重量 Weight (g)	Df	Pitch	D	Dh8	P.C.D	L	R	r	T	F	S	H	W	R ₀	t	FA(kN)	d ₀	d ₁	a
TMH12	12	38	2	12	11	26	6	21	16.5	9	6	30	20	M5	M4	1.9	0.14	9.5	3	0.8
TMH12L	12	38	2	12	11	26	6	21	16.5	9	6	30	20	M5	M4	1.9	0.14	9.5	3	0.8
TMH16	16	44	3	16	14	32	6	28	22.5	12	8	35	24	M5	M4	3.1	0.25	12.5	3	1.3
TMH16L	16	44	3	16	14	32	6	28	22.5	12	8	35	24	M5	M4	3.1	0.25	12.5	3	1.3
TMH20	20	48	4	20	16	36	6	32	26	15	10	40	28	M6	M4	4.6	0.35	15.5	4	2
TMH20L	20	48	4	20	16	36	6	32	26	15	10	40	28	M6	M4	4.6	0.35	15.5	4	2
TMH25	25	62	5	25	20	46	8	40	32	16	12	50	34	M8	M6	6.6	0.7	19.5	4	3.1
TMH25L	25	62	5	25	20	46	8	40	32	16	12	50	34	M8	M6	6.6	0.7	19.5	4	3.1
TMH32	32	68	6	32	25	52	8	50	42	16	14	56	40	M8	M6	9.8	1.02	25.5	3	5.2
TMH32L	32	68	6	32	25	52	8	50	42	16	14	56	40	M8	M6	9.8	1.02	25.5	3	5.2

国际单位: 1N ≈ 0.225lbs
 1kg ≈ 2.205lbs
 SIUNIT: 1N ≈ 0.225lbs
 1kg ≈ 2.205lbs

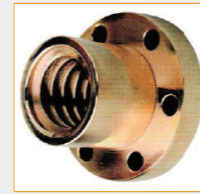
法兰螺母 :TML
 材质: 青铜或黄铜
 Flange Nuts: TML
 All models are made of Bronze, Brass
 or according to customer's requirements.



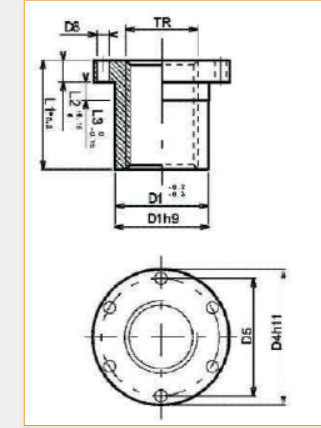
TML



法兰螺母: TMF-6
 材质: 青铜或黄铜
 Flange Nuts - TMF-6
 All models are made of Bronze, Brass
 or according to customer's requirement.



TMF-6



规格 Size	D	L	d	L1
TML12x3	42	20	24	13
TML15x3	49	32	40	22
TML16x3	49	32	40	22
TML18x4	49	32	40	22
TML20x4	49	32	40	22
TML22x5	49	32	40	22
TML24x5	49	32	40	22
TML28x5	64	40	50	20
TML30x6	64	40	50	20
TML32x6	64	40	50	20
TML36x6	84	60	70	40
TML40x7	84	60	70	40
TML50x8	109	75	90	50
TML60x9	109	75	90	50

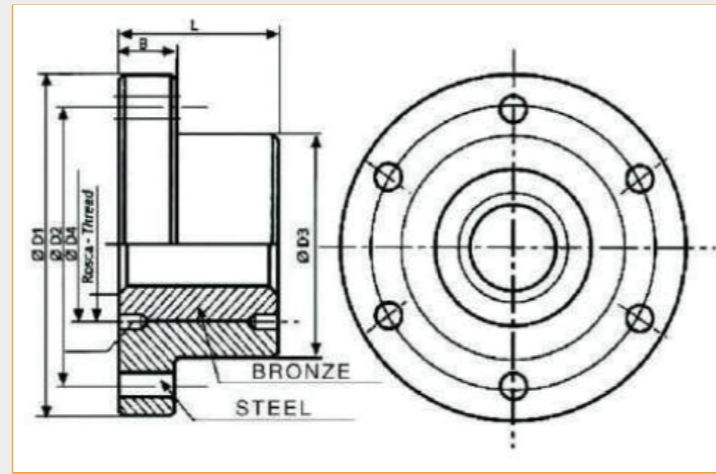
单头 Single Start										双头 Double Start										
规格 Size	D1	D4	D5	D6	L1	L2	L3	受力面积 Contact Surface mm ²	重量 Weight kg	规格 Size	D1	D4	D5	D6	L1	L2	L3	受力面积 Contact Surface mm ²	重量 Weight kg	
TMF10x2	25	42	34	5	25	10	6	250	0.155	TMF12x6-P3	28	48	38	6	35	12	8	400	0.266	
TMF12x3	28	48	38	6	35	12	8	400	0.266	TMF14x6-P3	28	48	38	6	35	12	8	460	0.258	
TMF14x3	28	48	38	6	35	12	8	460	0.258	TMF16x8-P4	28	48	38	6	35	12	8	530	0.244	
TMF16x4	28	48	38	6	35	12	8	530	0.244	TMF18x8-P4	28	48	38	6	35	12	8	610	0.228	
TMF18x4	28	48	38	6	35	12	8	610	0.228	TMF20x8-P4	32	55	45	7	44	12	8	870	0.346	
TMF20x4	32	55	45	7	44	12	8	870	0.346	TMF22x10-P5	32	55	45	7	44	12	8	1030	0.322	
TMF22x5	32	55	45	7	44	12	8	1030	0.322	TMF24x10-P5	32	55	45	7	44	12	8	1040	0.304	
TMF24x5	32	55	45	7	44	12	8	1040	0.304	TMF28x10-P5	38	62	50	7	16	14	8	1200	0.442	
TMF26x5	38	62	50	7	46	14	8	1280	0.474	TMF30x12-P6	38	62	50	7	16	14	8	1370	0.408	
TMF28x5	38	62	50	7	46	14	8	1200	0.442	TMF32x12-P6	45	70	58	7	54	16	10	1710	0.706	
TMF30x6	38	62	50	7	46	14	8	1370	0.408	TMF36x12-P6	45	70	58	7	54	16	10	1950	0.606	
TMF32x6	45	70	58	7	54	16	10	1710	0.708	TMF40x14-P7	63	95	78	9	66	16	12	2650	1.700	
TMF36x6	45	70	58	9	54	16	10	1950	0.606											
TMF40x7	63	95	78	9	66	16	12	1650	1.700											
TMF44x7	63	95	78	11	66	16	12	2940	1.524											
TMF50x8	72	110	90	13	75	18	14	4540	2.324											
TMF60x9	88	130	110	13	90	20	16	5490	3.942											
TMF70x10	95	140	120	13	105	22	17	7500	4.465											
TMF80x10	105	150	130	13	105	22	17													

国际单位: 1N ≈ 0.225lbs
 1kg ≈ 2.205lbs
 SIUNIT: 1N ≈ 0.225lbs
 1kg ≈ 2.205lbs

钢法兰青铜螺母: TMFS
 材质: 45#铜+青铜
 Flange Nuts: TMFS
 All models are made of C45 and Bronze



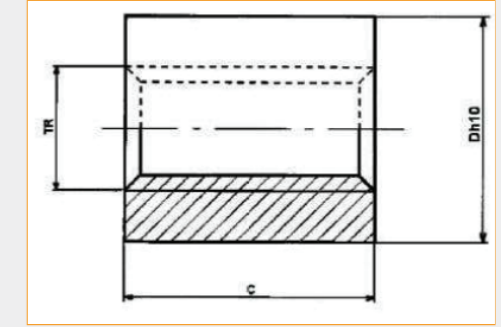
TMFS



圆螺母: TMSC
 材质: 易切削铜、45#铜
 Round Nuts - TMSC
 All models are made of C45, Free cutting steel
 or according to customer's requirement.



TMSC

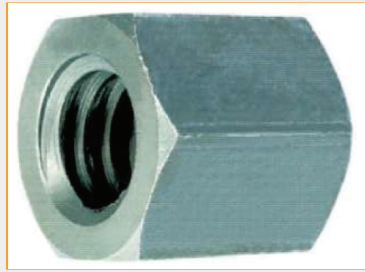


规格 Size	D1	D2	D3	D4	L	B	Drilling Anchoring
TMFS16x4	60	50	38	25	25	10	3 x ϕ 6.5
TMFS20x4	70	55	42	30	30	12	4 x ϕ 6.5
TMFS24x5	80	65	52	35	37	12	4 x ϕ 6.5
TMFS30x6	100	82	65	45	45	16	4 x ϕ 6.5
TMFS40x7	110	93	75	55	60	16	6 x ϕ 8.5
TMFS50x8	135	113	90	65	75	18	6 x ϕ 10.5
TMFS60x9	155	129	105	75	90	22	6 x ϕ 12.5

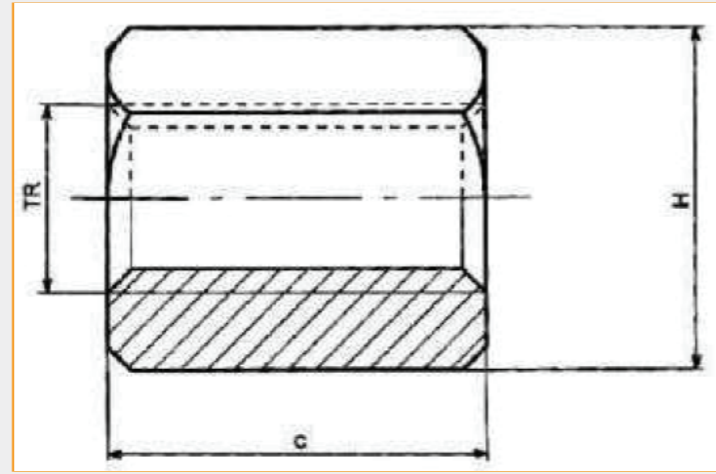
单头 Single Start							双头 Double Start						
规格 Size	D mm	C mm	受力面积 Contact Surface mm ²	重量 Weight kg	D mm	C mm	重量 Weight kg	规格 Size	D mm	C mm	受力面积 Contact Surface mm ²	重量 Weight kg	
TMSC10x2	22	15	150	0.037	22	20	0.061	TMSC12x6-P3	26	18	210	0.033	
TMSC10x3	22	15	-	0.037	22	20	0.061	TMSC14x6-P3	30	21	285	0.067	
TMSC12x3	26	18	210	0.033	26	24	0.095	TMSC16x8-P4	36	24	365	0.087	
TMSC14x3	30	21	285	0.067	30	28	0.134	TMSC18x8-P4	40	27	470	0.133	
TMSC14x4	30	21	-	0.067	30	28	0.134	TMSC20x8-P4	45	30	590	0.180	
TMSC16x4	36	24	365	0.087	36	32	0.270	TMSC24x10-P5	50	36	845	0.257	
TMSC18x4	40	27	470	0.133	40	36	0.425	TMSC30x12-P6	60	45	1335	0.491	
TMSC20x4	45	30	590	0.180	45	40	0.523	TMSC36x12-P6	75	54	1950	0.836	
TMSC22x5	45	33	700	0.186	45	44	0.548	TMSC40x14-P7	80	60	2400	0.852	
TMSC24x5	50	36	845	0.257	50	48	0.685						
TMSC26x5	50	39	1005	0.258	50	52	0.700						
TMSC28x5	60	42	1175	0.363	60	60	1.064						
TMSC30x6	60	45	1335	0.491	60	60	1.174						
TMSC32x6	60	48	1430	0.646	60	64	1.288						
TMSC36x6	75	54	1950	0.836	75	72	2.238						
TMSC40x7	80	60	2400	0.852	80	80	2.792						
TMSC44x7	80	66	2940	1.068	80	88	3.002						
TMSC50x8	90	75	3790	1.623	90	100	4.100						
TMSC60x9	100	90	5490	2.816	100	120	5.706						
TMSC70x10	110	100	7240	3.561	110	140	8.663						
TMSC80x10	120	110	8900	3.561	120	160	9.324						

国际单位: 1N ≈ 0.225lbs
 1kg ≈ 2.205lbs
 SIUNIT: 1N ≈ 0.225lbs
 1kg ≈ 2.205lbs

六角螺母: TM-HEX
 材质: 易切削铜、45#铜
 Hex Nuts: TM-HEX
 All models are made of C45, Free cutting steel
 or according to customer's requirement.



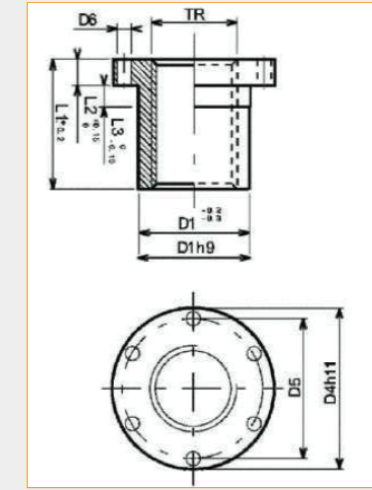
TM-HEX



聚甲醛螺母: TMF-P
 材质: 聚甲醛
 POM Flange Nuts - TMF-P
 All models are made of POM
 or according to customer's requirement.



TMF-P



单头 Single Start					双头 Double Start				
规格 Size	H mm	C mm	受力面积 Contact Surface mm	重量 Weight kg	规格 Size	H mm	C mm	受力面积 Contact Surface mm	重量 Weight kg
TM-HEX10x2	17	15	150	0.022	TM-HEX12x6-P3	19	18	210	0.032
TM-HEX10x3	17	15	-	0.022	TM-HEX14x6-P3	22	21	285	0.049
TM-HEX12x3	19	18	210	0.032	TM-HEX16x8-P4	24	24	365	0.065
TM-HEX14x3	22	21	285	0.049	TM-HEX18x8-P4	27	27	470	0.091
TM-HEX14x4	22	21	-	0.049	TM-HEX20x8-P4	30	30	590	0.124
TM-HEX16x4	24	24	365	0.065	TM-HEX24x10-P5	36	36	845	0.219
TM-HEX18x4	27	27	470	0.091	TM-HEX30x12-P6	46	45	1335	0.445
TM-HEX20x4	30	30	590	0.124	TM-HEX36x6-P6	55	54	1950	0.708
TM-HEX22x5	30	33	700	0.125	TM-HEX40x14-P7	60	60	2400	0.893
TM-HEX24x5	36	36	845	0.219					
TM-HEX26x5	36	39	1005	0.216					
TM-HEX28x5	41	42	1175	0.318					
TM-HEX30x6	46	45	1335	0.445					
TM-HEX32x6	50	48	1430	0.567					
TM-HEX36x6	55	54	1950	0.708					
TM-HEX40x7	60	60	2400	0.893					
TM-HEX44x7	65	66	2940	1.538					
TM-HEX50x8	75	75	3790	1.889					
TM-HEX60x9	90	90	5490	3.277					
TM-HEX70x10	100	100	7140	4.193					

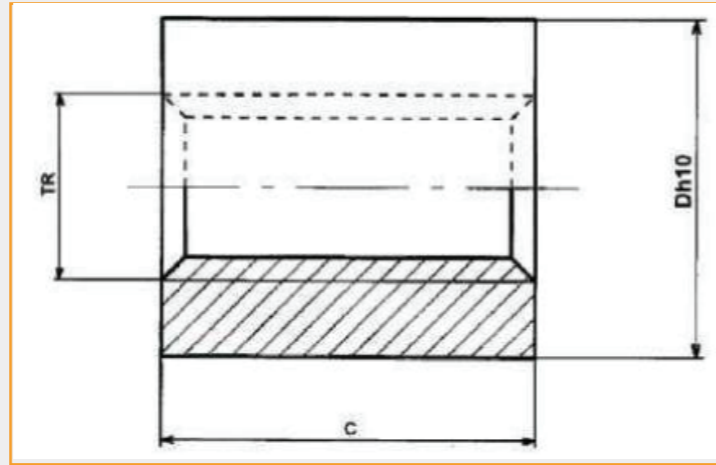
单头 Single Start										双头 Double Start							
规格 Size	D1 mm	D4 mm	D5 mm	D6 mm	L1 mm	L2 mm	L3 mm	受力面积 Contact Surface mm ²	规格 Size	D1 mm	D4 mm	D5 mm	D6 mm	L1 mm	L2 mm	L3 mm	受力面积 Contact Surface mm ²
TMFP10x2	25	42	34	5	25	10	6	250	TR12x6-P3	28	48	38	6	35	12	8	400
TR12x3	28	48	38	6	35	12	8	400	TR14x6-P3	28	48	38	6	35	12	8	460
TR14x3	28	48	38	6	35	12	8	460	TR16x8-P4	28	48	38	6	35	12	8	530
TR16x4	28	48	38	6	35	12	8	530	TR18x8-P4	28	48	38	6	35	12	8	610
TR18x4	28	48	38	6	35	12	8	610	TR20x8-P4	32	55	45	7	44	12	8	870
TR20x4	32	55	45	7	44	12	8	870	TR22x10-P5	32	55	45	7	44	12	8	1030
TR22x5	32	55	45	7	44	12	8	1030	TR24x10-P5	32	55	45	7	44	12	8	1040
TR24x5	32	55	45	7	44	12	8	1040	TR28x10-P5	38	62	50	7	16	14	8	1200
TR26x5	38	62	50	7	46	14	8	1280	TR30x12-P6	38	62	50	7	16	14	8	1370
TR28x5	38	62	50	7	46	14	8	1200	TR32x12-P6	45	70	58	7	54	16	10	1710
TR30x6	38	62	50	7	46	14	8	1370	TR36x12-P6	45	70	58	7	54	16	10	1950
TR32x6	45	70	58	7	54	16	10	1710	TR40x14-P7	63	95	78	9	66	16	12	2650
TR36x6	45	70	58	9	54	16	10	1950									
TR40x7	63	95	78	9	66	16	12	1650									
TR44x7	63	95	78	11	66	16	12	2940									
TR50x8	72	110	90	13	75	18	14	4540									
TR60x9	88	130	110	13	90	20	16	5490									
TR70x10	95	140	120	13	105	22	17	7500									
TR80x10	105	150	130	13	105	22	17										

国际单位: 1N ≈ 0.225lbs
 1kg ≈ 2.205lbs
 SIUNIT: 1N ≈ 0.225lbs
 1kg ≈ 2.205lbs

聚甲醛圆螺母: PRD
 材质: 聚甲醛
 Flange Nuts: PRD
 All models are made of POM
 or according to customer's requirement.



POM



单头 Single Start				双头 Double Start			
规格 Size	H mm	C mm	受力面积 Contact Surface mm	规格 Size	H mm	C mm	受力面积 Contact Surface mm
TR10x2	22	20	200	TR12x6-P3	26	24	280
TR10x3	23	20	-	TR14x6-P3	30	28	380
TR12x3	26	24	280	TR16x8-P4	36	32	490
TR14x3	30	28	380	TR18x8-P4	40	36	630
TR14x3	31	28	-	TR20x8-P4	45	40	790
TR16x4	36	32	490	TR22x10-P5	45	44	940
TR18x4	40	36	630	TR24x10-P5	50	48	1130
TR20x4	45	40	790	TR26x10-P5	50	52	1340
TR22x5	45	44	940	TR28x10-P5	60	56	1570
TR24x5	50	48	1130	TR30x12-P6	60	60	1780
TR26x5	50	52	1340	TR32x12-P6	60	64	1910
TR28x5	60	56	1570	TR36x12-P6	75	72	2610
TR30x6	60	60	1780	TR40x14-P7	80	80	3210
TR32x6	60	64	1910	TR50x16-P8	90	100	5060
TR36x6	75	72	2610				
TR40x7	80	80	3210				
TR44x7	80	88	3920				
TR50x8	90	100	5060				
TR60x9	100	120	7320				
TR70x10	110	140	10000				
TR80x10	122	160	-				