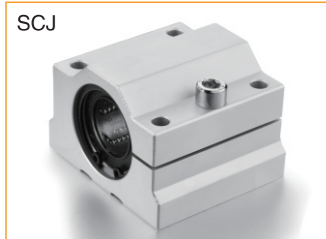


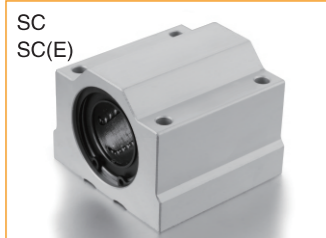
直线轴承箱式单元 Linear Motion Ball Bearings Slide Unites

● SNB公司提供各类轴承滑动单元，供设计直线运动产品时采用。精密加工的铝制滑动单元，遵循标准化的设计，具有可互换性，成本低，设计高效等优点。

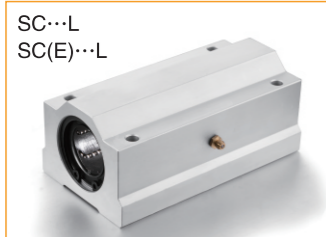
● SNB Co.,Ltd can supply all types of Linear MYT's slide unit with features of low cost, ease of replacement and high precision can be widely designed into many different linear motion applications. Such as factory automated equipment, machine tools, industrial machines, electrical machine tools and soon. Processing aluminium slide units strictly follows standardized design.



间隙可调型铝制箱式单元（带有沿轴轨槽）
SCJ型能通过间隙调整实现轴与箱体精密配合。
SCJ clearance adjustment aluminium Slide Units
(include along shaft groove)
SCJ serie can accomplish shaft with case unit through clearance adjustment perfectly.



标准型铝制箱式单元
通过螺栓实现简单安装。
SC(E) Standard aluminium Slide Units
Through screw accomplish simple installation



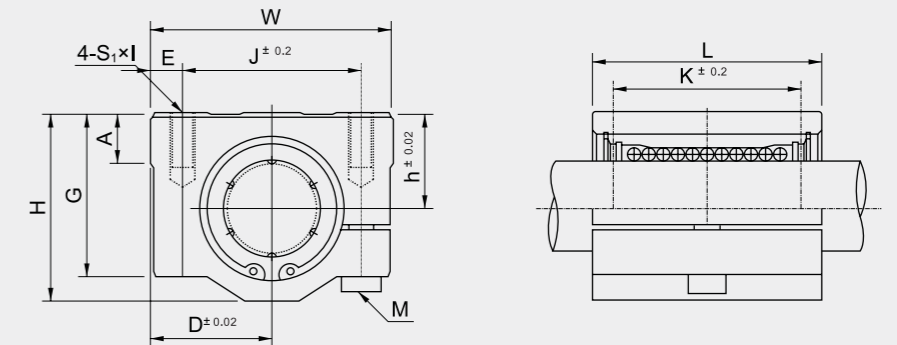
长型铝制箱式单元（带有两个标准型直线轴承）
SC(E)...L Long-length aluminium Slide Units
(include two standard linear motion ball bearings)



短型铝制箱式单元（带有标准型直线轴承）
比SC(E)型更紧凑。
SC(E)...S Shorten aluminium Slide Units
(include one standard linear motion ball bearings)
Than SC(E) much compact.

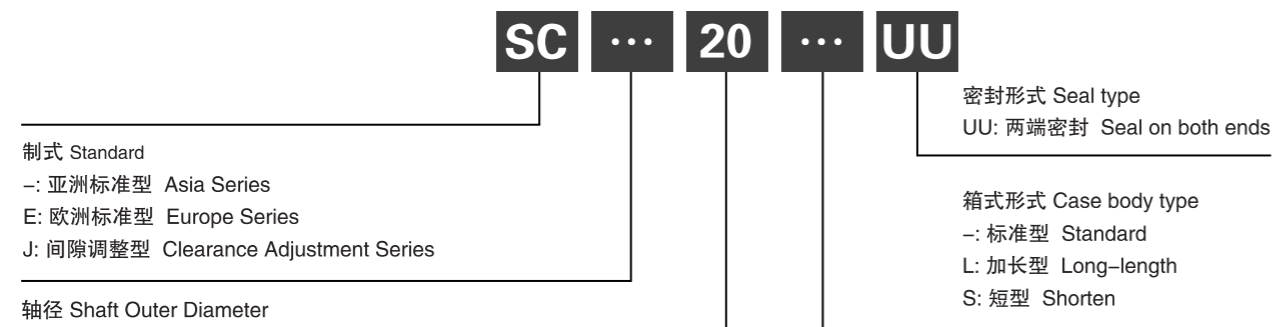


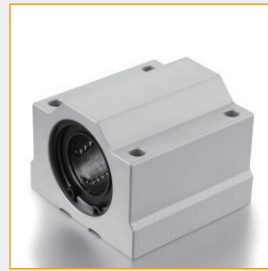
SCJ...UU



型号 Model	内装轴承 Liner bearing	额定负荷 Basic load rating		轴径 Shaft diameter mm	尺寸 Dimensions (mm)											重量 Weight (g)	
		动负荷 Dynamic C N	静负荷 Static Co N		h	D	W	H	G	A	J	E	S ₁ xI	K	L		M
SCJ10UU	LM10UU-AJ	372	549	10	13	20	40	26	21	8.0	28	6.0	M5x12	21	35	M5	90
SCJ12UU	LM12UU-AJ	510	784	12	15	21	42	28	24	8.0	30.5	5.75	M5x12	26	36	M5	112
SCJ13UU	LM13UU-AJ	510	784	13	15	22	44	30	24.5	8.0	33	5.5	M5x12	26	39	M5	123
SCJ16UU	LM16UU-AJ	774	1,180	16	19	25	50	38.5	32.5	9.0	36	7.0	M5x12	34	44	M5	189
SCJ20UU	LM20UU-AJ	882	1,370	20	21	27	54	41	35	11	40	7.0	M6x12	40	50	M5	237
SCJ25UU	LM25UU-AJ	980	1,570	25	26	38	76	51.5	42	12	54	11	M8x18	50	67	M6	555
SCJ30UU	LM30UU-AJ	1,570	2,740	30	30	39	78	59.5	49	15	58	10	M8x18	58	72	M6	685
SCJ35UU	LM35UU-AJ	1,670	3,140	35	34	45	90	68	54	18	70	10	M8x18	60	80	M6	1,100
SCJ40UU	LM40UU-AJ	2,160	4,020	40	40	51	102	78	62	20	80	11	M10x25	60	90	M8	1,600
SCJ50UU	LM50UU-AJ	3,820	7,940	50	52	61	122	102	80	25	100	11	M10x25	80	110	M8	3,350

产品型号说明 Product model Description

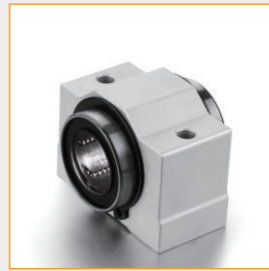




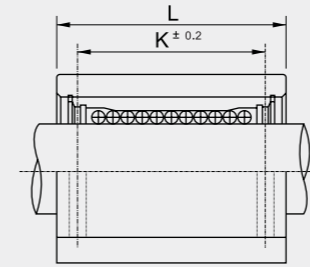
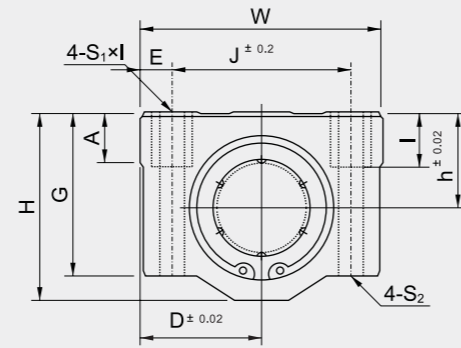
SC...UU



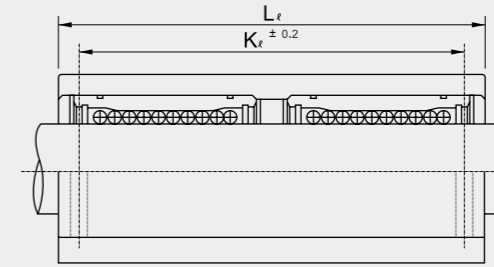
SC...LUU



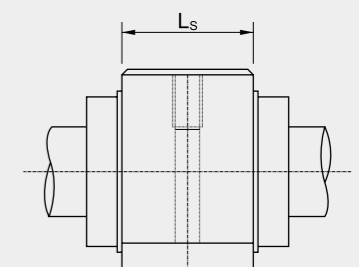
SC...SUU



SC...UU



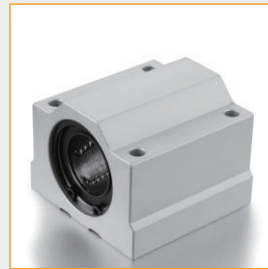
SC...LUU



SC...SUU

标准型 Standard		额定负荷 Basic load rating		重量 Weight (g)	加长型 Length type		额定负荷 Basic load rating		重量 Weight (g)	短型 Shorten type	
型号 Model	内装轴承 Liner bearing	动负荷 Dynamic C N	静负荷 Static Co N		型号 Model	内装轴承 Liner bearing	动负荷 Dynamic C N	静负荷 Static Co N		型号 Model	内装轴承 Liner bearing
SC6UU	LM6UU	206	265	34	-	-	-	-	-	-	-
SC8UU	LM8UU	274	392	56	SC8LUU	2xLM8UU	431	784	94	SC8SUU	LM8UU
SC10UU	LM10UU	372	549	90	SC10LUU	2xLM10UU	588	1,100	147	SC10SUU	LM10UU
SC12UU	LM12UU	510	784	112	SC12LUU	2xLM12UU	813	1,570	220	SC12SUU	LM12UU
SC13UU	LM13UU	510	784	123	SC13LUU	2xLM13UU	813	1,570	245	SC13SUU	LM13UU
SC16UU	LM16UU	774	1,180	189	SC16LUU	2xLM16UU	1,230	2,350	376	SC16SUU	LM16UU
SC20UU	LM20UU	882	1,370	237	SC20LUU	2xLM20UU	1,410	2,740	476	SC20SUU	LM20UU
SC25UU	LM25UU	980	1,570	555	SC25LUU	2xLM25UU	1,610	3,140	1,115	SC25SUU	LM25UU
SC30UU	LM30UU	1,570	2,740	685	SC30LUU	2xLM30UU	2,450	5,490	1,375	SC30SUU	LM30UU
SC35UU	LM35UU	1,670	3,140	1,100	SC35LUU	2xLM35UU	2,650	6,270	2,200	SC35SUU	LM35UU
SC40UU	LM40UU	2,160	4,020	1,600	SC40LUU	2xLM40UU	3,430	8,040	3,200	SC40SUU	LM40UU
SC50UU	LM50UU	3,820	7,940	3,350	SC50LUU	2xLM50UU	6,080	15,900	6,720	SC50SUU	LM50UU
SC60UU	LM60UU	4,700	10,000	4,720	SC60LUU	2xLM60UU	7,550	20,000	8,480	SC60SUU	LM60UU
SC80UU	LM80UU	7,350	16,000	8,100	SC80LUU	2xLM80UU	11,500	32,000	15,100	SC80SUU	LM80UU

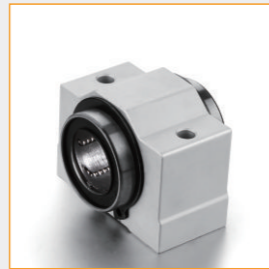
额定负荷 Basic load rating		重量 Weight (g)	轴径 Shaft diameter mm	尺寸 Dimensions (mm)														
动负荷 Dynamic C N	静负荷 Static Co N			通用尺寸 Nominal dimensions (mm)										SC...UU	SC...LUU	SC...SUU		
				h	D	W	H	G	A	J	E	S ₁ l	S ₂				K	L
-	-	-	φ6	9	15	30	18	15	6	20	5	M4x8	φ3.4	15	25	-	-	-
260	400	36	φ8	11	17	34	22	18	6	24	5	M4x8	φ3.4	18	30	42	58	15.4
370	540	63	φ10	13	20	40	26	21	8	28	6	M5x12	φ4.3	21	35	46	68	19.5
410	590	74	φ12	15	21	42	28	24	8	30.5	5.75	M5x12	φ4.3	26	36	50	70	20.5
500	770	85	φ13	15	22	44	30	24.5	8	33	5.5	M5x12	φ4.3	26	39	50	75	20.5
770	1,170	132	φ16	19	25	50	38.5	32.5	9	36	7	M5x12	φ4.3	34	44	60	85	23.5
860	1,370	170	φ20	21	27	54	41	35	11	40	7	M6x12	φ5.2	40	50	70	96	27.4
980	1,560	405	φ25	26	38	76	51.5	42	12	54	11	M8x18	φ7.0	50	67	100	130	37.4
1,560	2,740	495	φ30	30	39	78	59.5	49	15	58	10	M8x18	φ7.0	58	72	110	140	40.9
1,660	3,130	790	φ35	34	45	90	68	54	18	70	10	M8x18	φ7.0	60	80	120	155	45.4
2,150	4,010	1,220	φ40	40	51	102	78	62	20	80	11	M10x25	φ8.7	60	90	140	175	56.4
3,820	7,930	2,300	φ50	52	61	122	102	80	25	100	11	M10x25	φ8.7	80	110	160	215	68.9
4,700	10,000	3,530	φ60	58	66	132	114	94	30	108	12	M12x25	φ10.7	90	122	180	240	78.8
7,350	16,000	7,020	φ80	75	81	162	148	125	35	138	12	M12x30	φ10.7	120	155	230	303	97.3



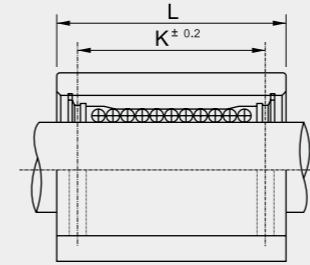
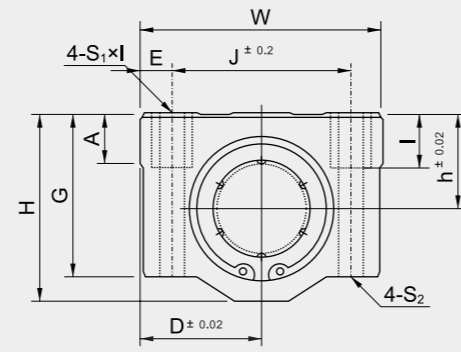
SCE...UU



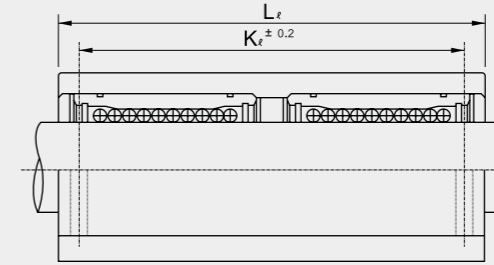
SCE...LUU



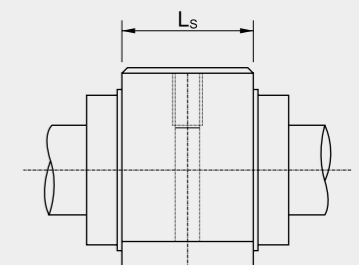
SCE...SUU



SCE...UU



SCE...LUU



SCE...SUU

标准型 Standard		额定负荷 Basic load rating		重量 Weight (g)	加长型 Length type		额定负荷 Basic load rating		重量 Weight (g)	短型 Shorten type	
型号 Model	内装轴承 Liner bearing	动负荷 Dynamic C N	静负荷 Static Co N		型号 Model	内装轴承 Liner bearing	动负荷 Dynamic C N	静负荷 Static Co N		型号 Model	内装轴承 Liner bearing
SCE8UU	LME8UU	260	400	60	SCE8LUU	2xLME8UU	410	800	98	SCE8SUU	LME8UU
SCE12UU	LME12UU	410	590	118	SCE12LUU	2xLME12UU	650	1,180	232	SCE12SUU	LME12UU
SCE16UU	LME16UU	770	1,170	180	SCE16LUU	2xLME16UU	1,230	2,340	360	SCE16SUU	LME16UU
SCE20UU	LME20UU	860	1,370	245	SCE20LUU	2xLME20UU	1,370	2,740	490	SCE20SUU	LME20UU
SCE25UU	LME25UU	980	1,560	550	SCE25LUU	2xLME25UU	1,560	3,120	1,100	SCE25SUU	LME25UU
SCE30UU	LME30UU	1,560	2,740	760	SCE30LUU	2xLME30UU	2,490	5,480	1,525	SCE30SUU	LME30UU
SCE40UU	LME40UU	2,150	4,010	1,700	SCE40LUU	2xLME40UU	3,440	8,020	3,400	SCE40SUU	LME40UU
SCE50UU	LME50UU	3,820	7,930	2,950	SCE50LUU	2xLME50UU	6,110	15,860	5,920	SCE50SUU	LME50UU
SCE60UU	LME60UU	4,700	9,800	5,330	SCE60LUU	2xLME60UU	7,550	20,000	9,760	SCE60SUU	LME60UU

额定负荷 Basic load rating		重量 Weight (g)	轴径 Shaft diameter	尺寸 Dimensions (mm)														
动负荷 Dynamic C N	静负荷 Static Co N			通用尺寸 Nominal dimensions (mm)										SCE...UU		SCE...LUU		SCE...SUU
				h	D	W	H	G	A	J	E	S₁×I	S₂	K	L	Kᵣ	Lᵣ	Lₛ
260	400	40	φ8	11	17	34	23	18	6	24	5	M4x8	φ3.4	18	30	42	58	14.4
410	590	82	φ12	15	22	44	30	24	8	33	5.5	M5x12	φ4.3	26	39	64	77	20.3
770	1,170	122	φ16	19	25	50	38.5	32.5	9	36	7	M5x12	φ4.3	34	44	79	89	22.3
860	1,370	176	φ20	21	27	54	41	35	11	40	7	M6x12	φ5.2	40	53	90	106	28.3
980	1,560	400	φ25	26	38	76	51.5	41	12	54	11	M8x18	φ7	50	67	119	136	40.4
1,560	2,740	570	φ30	30	39	78	59.5	49	15	58	10	M8x18	φ7	58	76	132	154	48.4
2,150	4,010	1,320	φ40	40	51	102	78	62	20	80	11	M10x25	φ8.7	60	90	150	180	56.4
3,820	7,930	1,900	φ50	52	61	122	102	80	24	100	11	M10x25	φ8.7	80	110	200	230	72.3
4,700	9,800	4,230	φ60	58	66	132	114	94	30	108	12	M12x25	φ10.7	100	137	220	270	95.5