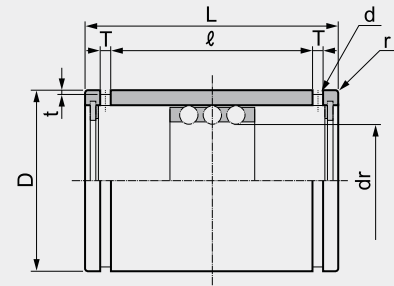


行程轴承: ST
 可进行旋转运动、有限直线运动及复合运动。
 所有型号均可根据客户要求做镀镍处理, 有防锈作用。

Ordinary type: ST
 ST stroke bearing is a linear and rotational motion mechanism utilizing, the rotational motion of ball elements between an outer cylinder and a shaft.
 All models can be done with nickle plated according to customers' requirements, with function of rust-proof.



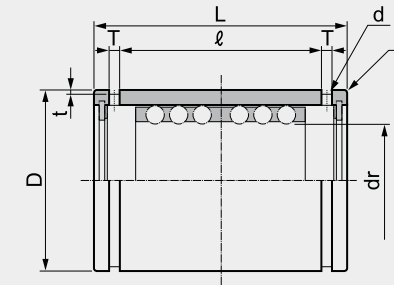
ST

型号 Model	最大行程 Maximum stroke mm	钢球列数 Number of rows	主要尺寸和公差 Major dimensions and tolerance											额定负荷 Basic load rating		重量 Weight (g)
			dr		D		L		ℓ	T	t	d	r	动负荷 Dynamic C N	静负荷 Static Co N	
			mm	公差 Tolerance μ m	mm	公差 Tolerance μ m	mm	公差 Tolerance μ m								
ST 6	20	3	6		12	0	20		11.3	1.1	0.5	1	0.5	147	216	8.9
ST 8	24	3	8	+22 +13	15	-11	24		17.1	1.5	0.5	1.2	0.5	245	343	15.6
ST 10	30	3	10		19		30	0	22.7	1.5	0.5	1.2	0.5	461	637	28.8
ST 12	32	3	12		23	0	32	-200	24.5	1.5	0.5	1.2	0.5	813	1,070	42
ST 13	32	3	13	+27 +16	23	-13	32		24.5	1.5	0.5	1.2	0.5	813	1,070	39.8
ST 16	40	3	16		28		37		29.1	1.5	0.7	1.3	0.5	990	1,180	71
ST 20	50	3	20		32		45		35.8	2	0.7	1.5	0.5	1,170	1,260	99
ST 25	50	3	25	+33 +20	37	0	45		35.8	2	0.7	1.6	1	1,330	1,330	117
ST 30	82	3	30		45		65		53.5	2.5	1	2	1	2,990	3,140	205
ST 35	92	3	35		52		70	0	58.5	2.5	1	2	1.5	3,140	3,530	329
ST 40	108	3	40	+41 +25	60	0	80	-300	68.3	2.5	1	2	1.5	4,120	4,800	516
ST 50	138	3	50		72		100		86.4	3	1	2.5	1.5	5,540	6,910	827
ST 60	138	3	60	+49 +30	85	0	100		86.4	3	1	2.5	2	5,980	8,230	1,240
ST 80	132	3	80		110	0	100	0	86	3	1.5	2.5	2	7,840	12,200	2,050
ST100	132	3	100	+58/+36	130	0/-25	100	-400	86	3	1.5	2.5	2	8,430	14,700	2,440

ST20 M M 镀镍 Nickle plated

1N ≈ 0.102kgf

重负荷型: ST...B
 Heavy duty type: ST...B



ST...B

型号 Model	最大行程 Maximum stroke mm	钢球列数 Number of rows	主要尺寸和公差 Major dimensions and tolerance											额定负荷 Basic load rating		重量 Weight (g)
			dr		D		L		ℓ	T	t	d	r	动负荷 Dynamic C N	静负荷 Static Co N	
			mm	公差 Tolerance μ m	mm	公差 Tolerance μ m	mm	公差 Tolerance μ m								
ST 8B	8	6	8	+22 +13	15	0/-11	24		17.1	1.5	0.5	1.2	0.5	490	549	16.8
ST 10B	8	6	10		19		30		22.7	1.5	0.5	1.2	0.5	931	1,030	31.2
ST 12B	8	6	12	+27 +16	23	0	32	-200	24.5	1.5	0.5	1.2	0.5	1,630	1,720	46
ST 16B	16	6	16		28		37		29.1	1.5	0.7	1.3	0.5	1,910	1,980	75
ST 20B	20	6	20		32		45		35.8	2	0.7	1.5	0.5	2,060	2,320	106
ST 25B	20	6	25	+33 +20	37	0	45		35.8	2	0.7	1.6	1	2,170	2,670	125
ST 30B	44	6	30		45		65		53.5	2.5	1	2	1	4,800	6,270	220
ST 35B	54	6	35		52		70	0	58.5	2.5	1	2	1.5	5,050	7,060	346
ST 40B	66	6	40	+41 +25	60	0	80	-300	68.3	2.5	1	2	1.5	6,710	9,560	540
ST 50B	88	6	50		72		100		86.4	3	1	2.5	1.5	8,970	13,800	862
ST 60B	88	6	60	+49 +30	85	0	100		86.4	3	1	2.5	2	9,700	16,500	1,290
ST 80B	76	6	80		110	0	100	0	86	3	1.5	2.5	2	12,700	24,300	2,110
ST100B	76	6	100	+58/+36	130	0/-25	100	-400	86	3	1.5	2.5	2	13,700	29,400	2,520

ST20 B M M 镀镍 Nickle plated
 B 重负荷型 Heavy duty type

1N ≈ 0.102kgf

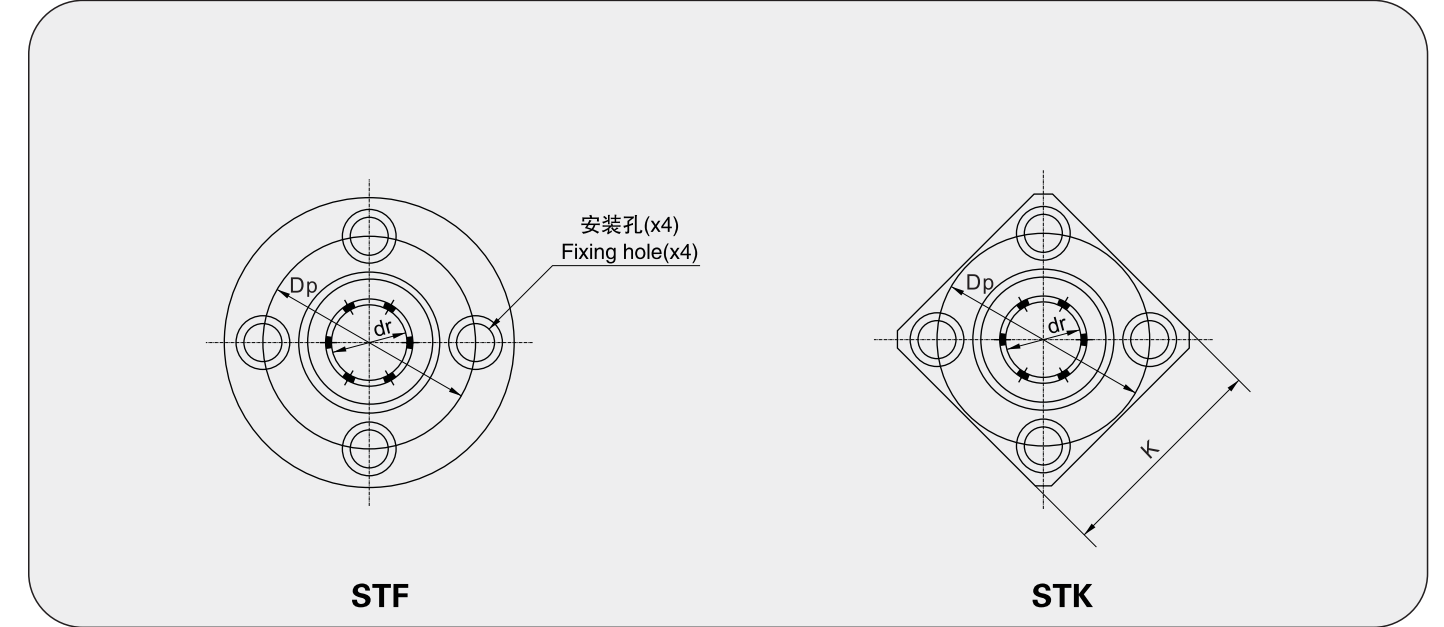
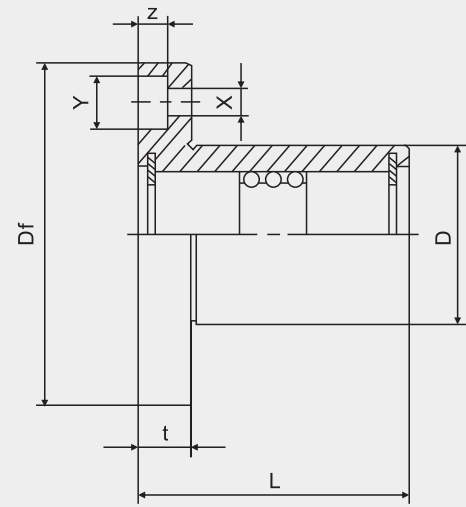
法兰式行程轴承: STF(K)
 可进行旋转运动、有限直线运动及复合运动;
 可用螺丝固定安装法兰, 便于组装。
 所有型号均可根据客户要求做镀镍处理, 有防锈作用。
 Flanged Stroke Bearing: STF(K)
 Flanged stroke bearing is a linear and rotational motion
 mechanism utilizing, the rotational motion of ball elements
 between an outer cylinder and a shaft, which is easy assembling.
 All models can be done with nickle palted according
 to customers' requirements , with function of rust-proof.



STF



STK



STF

STK

圆法兰 STF	重量 Weight (g)	方法兰 STK	重量 Weight (g)	最大行程 Maximum stroke mm	钢球列数 Number of rows	主要尺寸和公差 Major dimensions and tolerance					
						dr		D		L	
						mm	公差 Tolerance μ m	mm	公差 Tolerance μ m	mm	公差 Tolerance μ m
STF6	25	STK6	19	20	3	6		12	0	20	±300
STF8	37	STK8	29	24	3	8	+22 +13	15	-13	24	
STF10	70	STK10	50	30	3	10		19		30	
STF12	87	STK12	71	32	3	12		23	0	32	
STF13	87	STK13	71	32	3	13	+27 +16	23	-16	32	
STF16	121	STK16	105	40	3	16		28		37	
STF20	189	STK20	154	50	3	20		32		45	
STF25	237	STK25	197	50	3	25	+33 +20	37	0 -19	45	
STF30	325	STK30	230	82	3	30		45		65	
STF35	580	STK35	490	92	3	35		52		70	
STF40	1,016	STK40	936	108	3	40	+41 +25	60	0 -22	80	0 -300
STF50	1,427	STK50	1,227	138	3	50		72		100	
STF60	2,340	STK60	1,900	138	3	60		85	0	100	0
STF80	3,350	STK80	2,850	132	3	80	+49 +30	110	-25	100	-400
STF100	4,440	STK100	3,740	132	3	100	+58 +36	130	0 -29	100	

主要尺寸和公差 Major dimensions and tolerance							垂直度 Squareness μ m	额定负荷 Basic load rating	
法兰 Flange								动负荷 Dynamic C N	静负荷 Static Co N
Df mm	K mm	t mm	Dp mm	X mm	Y mm	Z mm			
28	22	5	20	3.5	6	3.1	12	147	216
32	25	5	24	3.5	6	3.1		245	343
40	30	6	29	4.5	7.5	4.1		461	637
43	34	6	33	4.5	7.5	4.1		813	1,070
43	34	6	33	4.5	7.5	4.1		813	1,070
48	37	6	38	4.5	7.5	4.1		990	1,180
54	42	8	43	5.5	9	5.1	15	1,170	1,260
62	48	8	50	5.5	9	5.1		1,330	1,330
74	58	10	60	6.6	11	6.1		2,990	3,140
82	64	10	67	6.6	11	6.1		3,140	3,530
96	75	13	78	9	14	8.1	20	4,120	4,800
108	84	13	90	9	14	8.1		5,540	6,910
128	104	18	106	11	17	11.1		5,980	8,230
154	126	18	132	11	17	11.1	25	7,840	12,200
180	150	20	155	14	20	13.1		8,430	14,700

STF(K)20 M 镀镍 Nickle plated

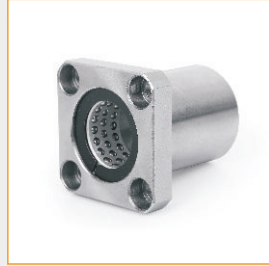
国际单位: 1N≈0.225lbs
 1kg≈2.205lbs
 SIUNIT: 1N≈0.225lbs
 1kg≈2.205lbs

法兰型行程轴承(重负荷型) : STF(K)···B
 可进行旋转运动、有限直线运动及复合运动;
 可用螺丝固定安装法兰, 运动承载能力更强, 便于组装。
 所有型号均可根据客户要求做镀镍处理, 有防锈作用。

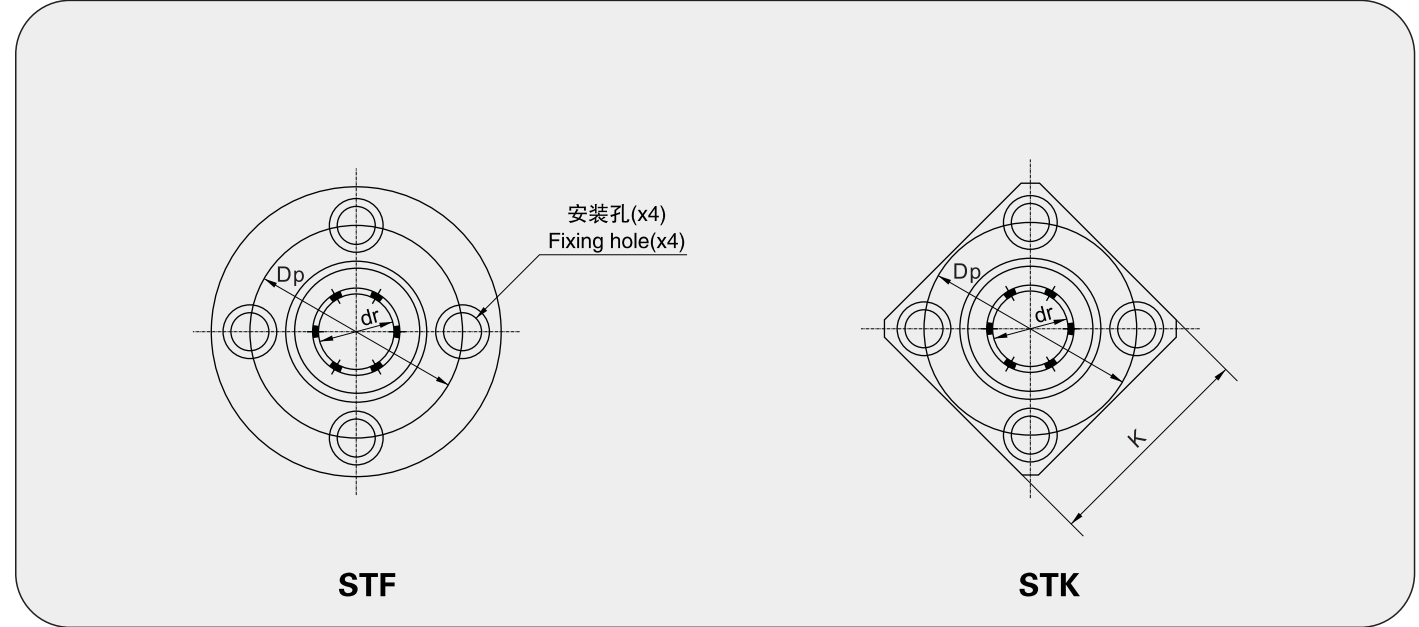
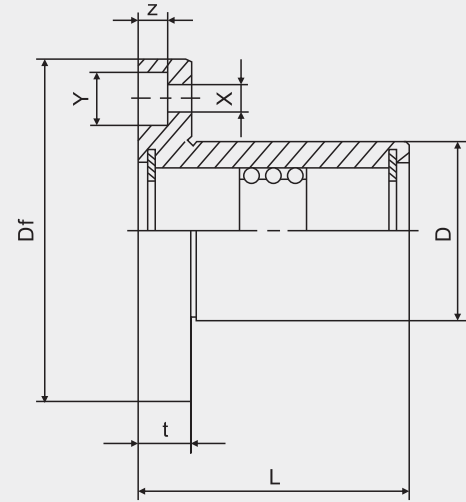
Flanged Ordinary type(Heavy duty type): STF(K)···B
 Flanged stroke bearing is a linear and rotational motion mechanism utilizing the rotational motion of ball elements between an outer cylinder and a shaft, with bigger loading capacity, which is easy assembling. All models can be done with nickle paltd according to customers' requirements , with function of rust-proof.



STF···B



STK···B



STF

STK

圆法兰 STF	重量 Weight (g)	方法兰 STK	重量 Weight (g)	最大行程 Maximum stroke mm	钢球列数 Number of rows	主要尺寸和公差 Major dimensions and tolerance					
						dr		D		L	
						mm	公差 Tolerance μ m	mm	公差 Tolerance μ m	mm	公差 Tolerance μ m
STF6B	26	STK6B	20	8	6	6		12	0	20	
STF8B	38.2	STK8B	30.2	8	6	8	+22 +13	15	-13	24	
STF10B	72.4	STK10B	52.4	8	6	10		19		30	
STF12B	91	STK12B	75	8	6	12		23	0	32	
STF13B	91	STK13B	75	8	6	13	+27 +16	23	-16	32	±300
STF16B	125	STK16B	109	16	6	16		28		37	
STF20B	196	STK20B	161	20	6	20		32	0	45	
STF25B	245	STK25B	205	20	6	25	+33 +20	37	-19	45	
STF30B	340	STK30B	245	44	6	30		45		65	
STF35B	597	STK35B	507	54	6	35		52	0	70	0 -300
STF40B	1,040	STK40B	960	66	6	40	+41 +25	60	-22	80	
STF50B	1,462	STK50B	1,262	88	6	50		72		100	
STF60B	2,390	STK60B	1,950	88	6	60	+49 +30	85	0	100	0
STF80B	3,410	STK80B	2,910	76	6	80		110	-25	100	-400
STF100B	4,520	STK100B	3,820	76	6	100	+58 +36	130	0 -29	100	

主要尺寸和公差 Major dimensions and tolerance							垂直度 Squareness μ m	额定负荷 Basic load rating	
法兰 Flange								动负荷 Dynamic C N	静负荷 Static Co N
Df mm	K mm	t mm	Dp mm	X mm	Y mm	Z mm			
28	22	5	20	3.5	6	3.1	12	312	358
32	25	5	24	3.5	6	3.1		490	549
40	30	6	29	4.5	7.5	4.1		931	1,030
43	34	6	33	4.5	7.5	4.1		1,630	1,720
43	34	6	33	4.5	7.5	4.1		1,630	1,720
48	37	6	38	4.5	7.5	4.1	15	1,910	1,980
54	42	8	43	5.5	9	5.1		2,060	2,320
62	48	8	50	5.5	9	5.1		2,170	2,670
74	58	10	60	6.6	11	6.1		4,800	6,270
82	64	10	67	6.6	11	6.1		5,050	7,060
96	75	13	78	9	14	8.1	20	6,710	9,560
108	84	13	90	9	14	8.1		8,970	13,800
128	104	18	106	11	17	11.1		9,700	16,500
154	126	18	132	11	17	11.1		12,700	24,300
180	150	20	155	14	20	13.1		13,700	29,400

STF(K)20 BM
 M 镀镍 Nickel plated
 B 重负荷型 Heavy duty type

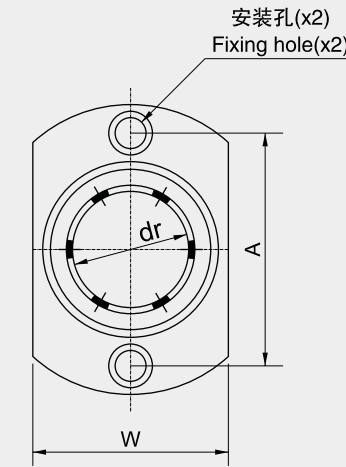
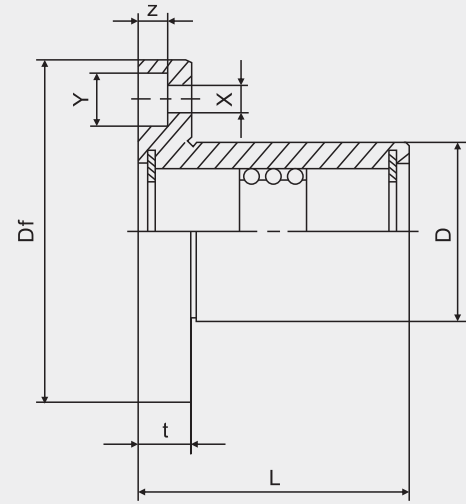
国际单位: 1N≈0.225lbs
 1kg≈2.205lbs
 SIUNIT: 1N≈0.225lbs
 1kg≈2.205lbs

法兰型行程轴承(重负荷型) : STH
 可进行旋转运动、有限直线运动及复合运动;
 可用螺丝固定安装法兰, 便于组装。
 所有型号均可根据客户要求做镀镍处理, 有防锈作用。

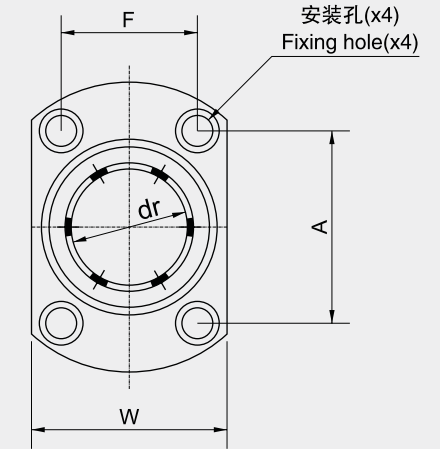
Flanged Stroke Bearing: STH
 Flanged stroke bearing is a linear and rotational motion mechanism utilizing the rotational motion of ball elements between an outer cylinder and a shaft, which is easy assembling. All models can be done with nickel plated according to customers' requirements, with function of rust-proof.



STH



轴径小于或等于13mm
STH13 or Less



轴径大于或等于16mm
STH16 or More

椭圆法兰 STH	重量 Weight (g)	最大行程 Maximum stroke mm	钢球列数 Number of rows	主要尺寸和公差 Major dimensions and tolerance							
				dr		D		L			
				mm	公差 Tolerance μm	mm	公差 Tolerance μm	mm	公差 Tolerance μm		
STH6	22	20	3	6	+22 +13	12	0 -13	20	± 300		
STH8	33	24	3	8		15		24			
STH10	60	30	3	10		19		30			
STH12	79	32	3	12	23	0 -16	32				
STH13	79	32	3	13			32				
STH16	115	40	3	16	28	37	45				
STH20	175	50	3	20	+33 +20	0 -19	65	0 -300			
STH25	220	50	3	25						37	45
STH30	290	82	3	30						45	65
STH35	535	92	3	35	+41 +25	0 -22	70				
STH40	1,036	108	3	40			60		80		

主要尺寸和公差 Major dimensions and tolerance								垂直度 Squareness μm	额定负荷 Basic load rating	
法兰 Flange									动负荷 Dynamic C N	静负荷 Static Co N
Df mm	W mm	t mm	A mm	F mm	X mm	Y mm	Z mm			
28	18	5	20	-	3.5	6	3.1	12	147	216
32	21	5	24	-	3.5	6	3.1		245	343
40	25	6	29	-	4.5	7.5	4.1		461	637
43	29	6	33	-	4.5	7.5	4.1		813	1,070
43	29	6	33	-	4.5	7.5	4.1		813	1,070
48	34	6	31	22	4.5	7.5	4.1	15	990	1,180
54	38	8	36	24	5.5	9	5.1		1,170	1,260
62	46	8	40	32	5.5	9	5.1		1,330	1,330
74	51	10	49	35	6.6	11	6.1		2,990	3,140
82	60	10	55	38	6.6	11	6.1		3,140	3,530
96	70	13	64	45	9	14	8.1	20	4,120	4,800

STH20 M 镀镍 Nickle plated

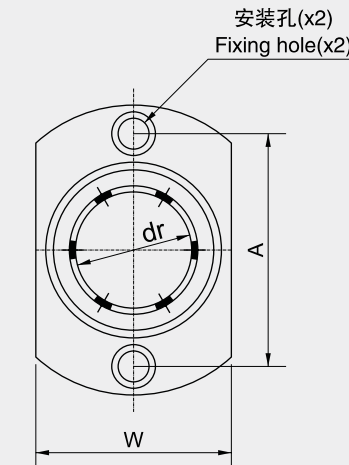
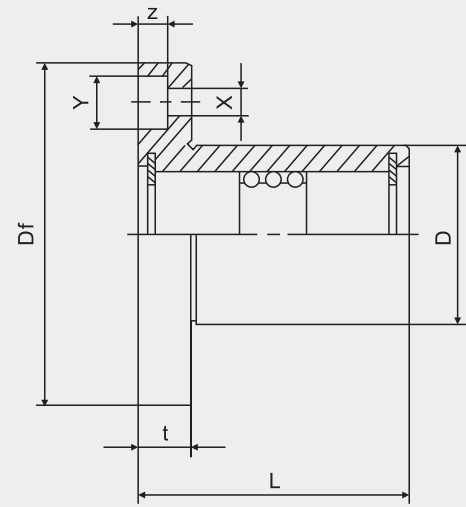
国际单位: 1N \approx 0.225lbs
 1kg \approx 2.205lbs
 SIUNIT: 1N \approx 0.225lbs
 1kg \approx 2.205lbs

法兰型行程轴承(重负荷型) : STH...B
 可进行旋转运动、有限直线运动及复合运动;
 可用螺丝固定安装法兰, 运动承载能力更强, 便于组装。
 所有型号均可根据客户要求做镀镍处理, 有防锈作用。

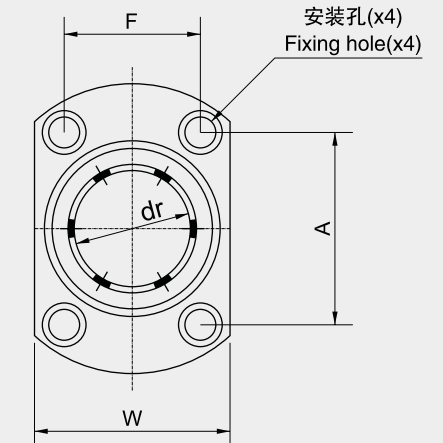
Flanged Ordinary type(Heavy duty type): STH...B
 Flanged stroke bearing is a linear and rotational motion mechanism utilizing the rotational motion of ball elements between an outer cylinder and a shaft, with bigger loading capacity, which is easy assembling. All models can be done with nickle paltd according to customers' requirements , with function of rust-proof.



STH...B



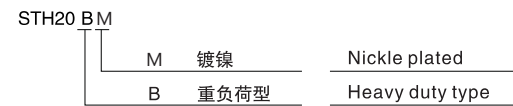
轴径小于或等于13mm
STH13 or Less



轴径大于或等于16mm
STH16 or More

椭圆法兰 STH	重量 Weight (g)	最大行程 Maximum stroke mm	钢球列数 Number of rows	主要尺寸和公差 Major dimensions and tolerance						
				dr		D		L		
				mm	公差 Tolerance μ m	mm	公差 Tolerance μ m	mm	公差 Tolerance μ m	
STH6B	23	8	6	6	+22 +13	12	0 -13	20	± 300	
STH8B	37	8	6	8		15		24		
STH10B	65	8	6	10	+27 +16	19	0 -16	30		
STH12B	86	8	6	12		23				32
STH13B	86	8	6	13		23		32		
STH16B	123	16	6	16		28		37		
STH20B	187	20	6	20	+33 +20	32	0 -19	45		
STH25B	232	20	6	25		37				45
STH30B	312	44	6	30	+41 +25	45	0 -22	65		0 -300
STH35B	586	54	6	35		52				
STH40B	1,069	66	6	40		60			80	

主要尺寸和公差 Major dimensions and tolerance								垂直度 Squareness μ m	额定负荷 Basic load rating	
法兰 Flange									动负荷 Dynamic C N	静负荷 Static Co N
Df mm	W mm	t mm	A mm	F mm	X mm	Y mm	Z mm			
28	18	5	20	-	3.5	6	3.1	12	312	358
32	21	5	24	-	3.5	6	3.1		490	549
40	25	6	29	-	4.5	7.5	4.1		931	1,030
43	29	6	33	-	4.5	7.5	4.1		1,630	1,720
43	29	6	33	-	4.5	7.5	4.1		1,630	1,720
48	34	6	31	22	4.5	7.5	4.1	1,910	1,980	
54	38	8	36	24	5.5	9	5.1	15	2,060	2,320
62	46	8	40	32	5.5	9	5.1		2,170	2,670
74	51	10	49	35	6.6	11	6.1		4,800	6,270
82	60	10	55	38	6.6	11	6.1		5,050	7,060
96	70	13	64	45	9	14	8.1	20	6,710	9,560



国际单位: 1N≈0.225lbs
 1kg≈2.205lbs
 SIUNIT: 1N≈0.225lbs
 1kg≈2.205lbs